

2 CLAMPING SYSTEMS

2.2 T-SLOT PULL CLAMPS SERIES ECA AND MHC

Single acting

EAS has two product lines of the T-slot pull cylinders, the ECA series suitable for normal QDC applications and the high quality MHC series for heavy duty QDC applications.

2.2.1 ECA SERIES

Single acting, 350 bar



Capacity: 40, 60, 100, 160 and 250 kN at 350 bar
 Working pressure: 350 bar
 Single acting
 Temperature range: 5°C till 200°C
 Viton seals

DESCRIPTION

These single acting manual positioned hollow pull cylinders are widely used on many QDC applications. Available with clamping force from 40 till 250 kN and with 8 mm stroke they fit many applications.

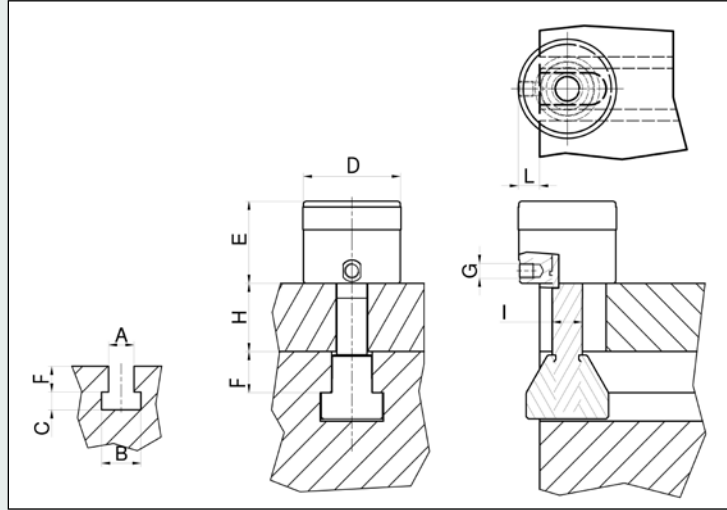
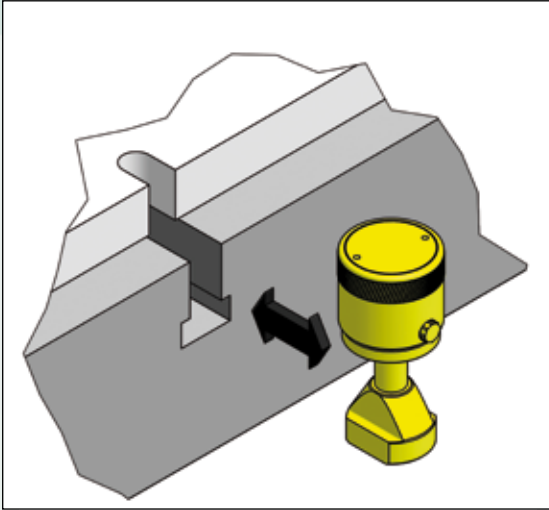
Ordering code: ECA -A/B/C/S

A= clamping capacity in kN, being 40, 60, 100, 160 and 250
 B= T-slot dimension 'A' in mm, being 22, 28 or 36
 C= distance H + F in mm. (H= backplate height)
 S = only if equipped with air operated cylinder with max 200 stroke (others on request)

Order Code Example:

ECA 40-22-70 is a 40 kN clamp with the distance H+F of 70 mm and for a 22 mm DIN T-slot.

ECA 40-22-70-150 is the same cylinder but in addition to that an air cylinder to move the clamp into the T-slot with a stroke of 150 mm.



SELECTION CHART

EAS Model Number	Clamping force in (kN)	Operating pressure (bar)	Stroke (mm)	Oil capacity (cm ³)	Max H+F (mm)	Dimensions in mm								
						A.	B	C	D	E	F	G	I	Lmax
ECA 40/18/..	40	350	8	8,5	90	18	37	16	65	58	*	G 1/4"	25	18
ECA 40/22/..	40	350	8	8,5	90	22	37	16	65	58	*	G 1/4"	25	18
ECA 60/18/..	60	350	8	13,5	100	18	46	20	72	65	*	G 1/4"	25	18
ECA 60/22/..	60	350	8	13,5	100	22	46	20	72	65	*	G 1/4"	25	18
ECA 100/22/..	100	350	8	23	110	22	46	20	82	71	*	G 1/4"	28	20
ECA 100/28/..	100	350	8	23	110	28	46	20	82	71	*	G 1/4"	28	20
ECA 160/28/..	160	350	8	38	120	28	56	25	106	82	*	G 1/4"	40	25
ECA 160/36/..	160	350	8	38	120	36	56	25	106	82	*	G 1/4"	40	25
ECA 250/36/..	250	350	8	57	140	36	56	25	127	100	*	G 1/4"	50	25