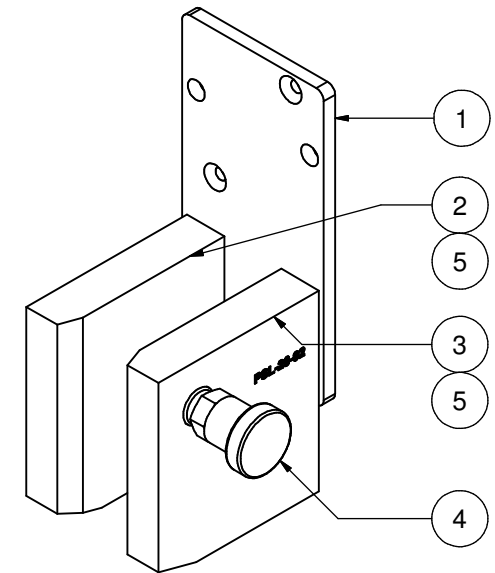


PSL-28-XX

"A" = CLAMPHEIGHT 92 mm



E0087	RELEASED	11/13
EASC	CHANGES	DATE

Parts List										
ITEM	QTY	PART NUMBER			DESCRIPTION					
1	1	FB378-111			BRACKET					
2	1	REF6286-C (92)			ADAPTOR BLOCK					
3	1	REF6285-C (92)			ADAPTOR BLOCK LOCK PIN					
4	1	FB309-061			LOCK PIN					
5	4	CBA821-028-1B			SCREW M8x20					
6	2	CCA819.028-1A			SCREW M8x16 (MOUNT. MAT.)					
7	1				PLASTIC BAG					
8	1				CARTON					
9	1	BSS 3874 D			CARTON LABEL					
TOLERANCES ON DIMENSIONS UNLESS SPECIFIED ± MM[inch]							TOL. ON ANGLES UNLESS SPEC.	TOL. ON RADII UNLESS SPEC. ± MM[inch]		
SIZE	0.5-6 [.02-.24]	6-30 [.24-1.18]	30-120 [1.18-4.72]	120-315 [4.72-12.40]	315-1000 [12.40-39.37]		SIZE	0.5-3 [.02-.12]	3-6 [.12-.24]	6-30 [.24-1.18]
TOL.	0.1 [.004]	0.2 [.008]	0.3 [.012]	0.5 [.02]	0.8 [.03]	± 1°	TOL.	0.2 [.008]	0.5 [.02]	1 [.04]

SPECIFICATIONS		DIMENSIONS IN BRACKETS ARE IN [INCH]		EAS [®] CHANGE SYSTEMS	
		NO CHANGE, NO PROGRESS		www.EASchangesystems.com	
		FINISH UNLESS SPECIFIED 3,2 √ Raµm [Raµ]		DESCRIPTION PARKSTATION 28	
WEIGHT: ± 2,952 kg		SCALE 1 : 1		DRAWING NO. PSL28-92	
ALL ANGULAR DIMENSIONS ARE ± 1° UNLESS SPECIFIED		DO NOT SCALE DRAWING		Rev 9/02	
GROUP TECH. CODES	C. M.	DR breep CH.		DATE 20-2-2018	A3