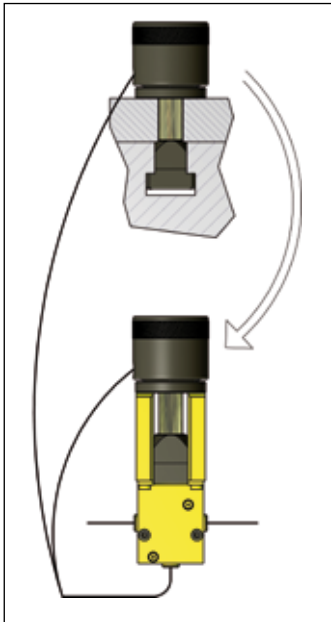


2 CLAMPING SYSTEMS

2.2.3 PARKING STATIONS FOR T-SLOT ECA AND MHC PULL CYLINDERS

SERIES PSL



SELECTION CHART		
EAS Model Number	Dimensions in mm	
	B	C
PSL 18 ..	50	76
PSL 22 ..	53	83
PSL 28 ..	70	91
PSL 36 ..	78	110

Ordering code: PSL-T-A

T= T-slot size being 18, 22, 28 of 36

A= Distance H+F in mm of the pull cylinder

Order code exaple: PSL-28-60

This is a Parking Station for a ECA cylinder for a T-slot 28 mm with distance H + F = 60 mm With a Connection Block.

Please order a extra model number CB-1.

In case a connecting block with pilot operated check valve is required order extra CBCV-1.

DESCRIPTION

During a die change it s very convenient to "park" the cylinder connected to the hose on to the press. This will avoid that the cylinders are being damaged when laying on the floor. EAS offers just very simple parking stations PSL in which the cylinders with their T stone are being parked as well as parking stations combined with a Connecting Block for connecting pipes and hoses, type CB-1 with 3 G 1/4' oil connections. If furthermore for extra safety a pilot operated check valve in the connecting block is required type CBCV-1 is available.

Dimensions on request.

