

2 CLAMPING SYSTEMS

MTC

2.4 T-SLOT CLAMPS SERIES MTC

Single acting and 350 bar

Capacity: 16, 28, 44 and 68 kN

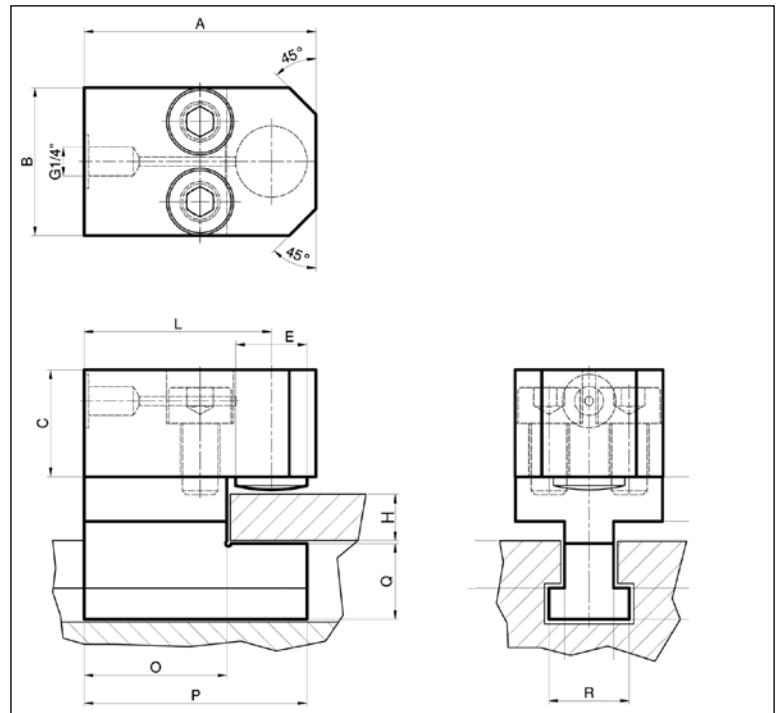
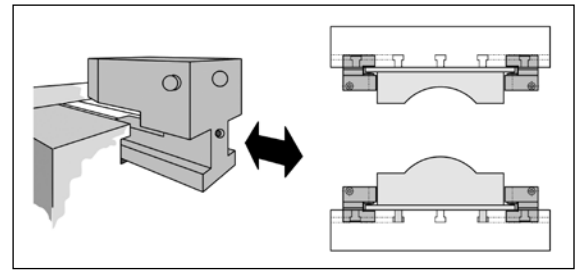
Working pressure: 350 bar

Single acting

Temperature range: 5°C till 200°C, with viton seals

DESCRIPTION

Because of their compact sizes the MTC clamps are very suitable to place them manually into the T-slots and slide them against the die. As these clamps can be moved into the T-slots, they are very suitable for different sizes of dies. Also because of their large stroke range, different die heights can be easily clamped. A set screw in the back can be used to lock the clamp in the T-slot if required.



Ordering code; MTC A-B-C

A= clamping force in kN , being 15, 30, 45 or 70.

B= dimensions of the T-slot, being 22, 28 or 36.

C= clamping height H being 25 or 30mm, others on request.

Ordering Code Example:

MTC 15/22/25 is a 15 kN clamp with X height between 20 and 25 mm and for 22 mm T-slot.

In case only the hydraulic clamping cylinder is needed (without T stone part) please order just MTC15, MTC30, MTC45 or MTC70.

Please specify your T-nut dimensions

SELECTION CHART

EAS Model Number	Clamping force (kN)	Operating pressure (bar)	Stroke (mm)	Oil capacity (cm ³)	Dimensions in mm									
					A	B	C	E	G	L	O	P	Q	R
MTC 15/18/25	16,8	350	8	3,9	95	65	40	24	G 1/4"	77	63	100	34	28
MTC 15/22/25	16,8	350	8	3,9	95	65	40	24	G 1/4"	77	63	100	34	35
MTC 15/28/25	16,8	350	8	3,9	95	65	40	24	G 1/4"	77	63	110	44	44
MTC 15/28/30	16,8	350	8	3,9	95	65	40	24	G 1/4"	77	63	110	44	44
MTC 15/36/30	16,8	350	8	3,9	95	65	40	24	G 1/4"	77	63	110	56	54
MTC 30/18/25	28	350	8	6,5	104	65	47	32	G 1/4"	81	63	100	34	28
MTC 30/22/25	28	350	8	6,5	104	65	47	32	G 1/4"	81	63	100	34	35
MTC 30/28/25	28	350	8	6,5	104	65	47	32	G 1/4"	81	63	110	44	44
MTC 30/20/30	28	350	8	6,5	104	65	47	32	G 1/4"	81	63	110	44	44
MTC 30/36/30	28	350	8	6,5	104	65	47	32	G 1/4"	81	63	110	56	54
MTC 45/18/25	43,7	350	8	10,1	111	65	50	40	G 1/4"	85	63	100	34	28
MTC 45/22/25	43,7	350	8	10,1	111	65	50	40	G 1/4"	85	63	100	34	35
MTC 45/28/25	43,7	350	8	10,1	111	65	50	40	G 1/4"	85	63	110	44	44
MTC 45/28/30	43,7	350	8	10,1	111	65	50	40	G 1/4"	85	63	110	44	44
MTC 45/36/30	43,7	350	8	10,1	111	65	50	40	G 1/4"	85	63	110	56	54
MTC 70/28/30	68,2	350	12	23,5	132	80	75	50	G 1/4"	99	72	130	44	44
MTC 70/36/30	68,2	350	12	23,5	132	80	75	50	G 1/4"	99	72	130	56	54

MTC