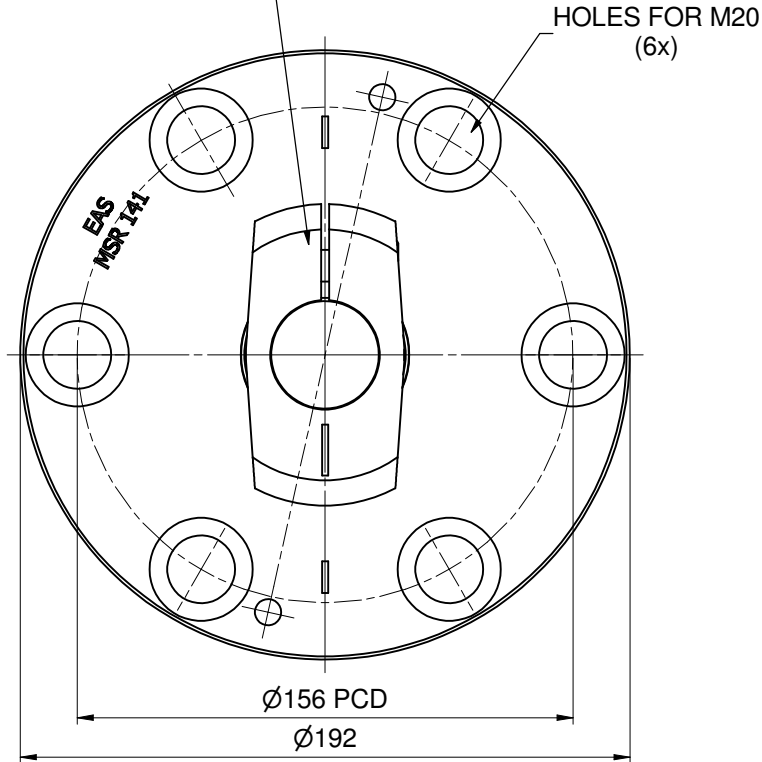
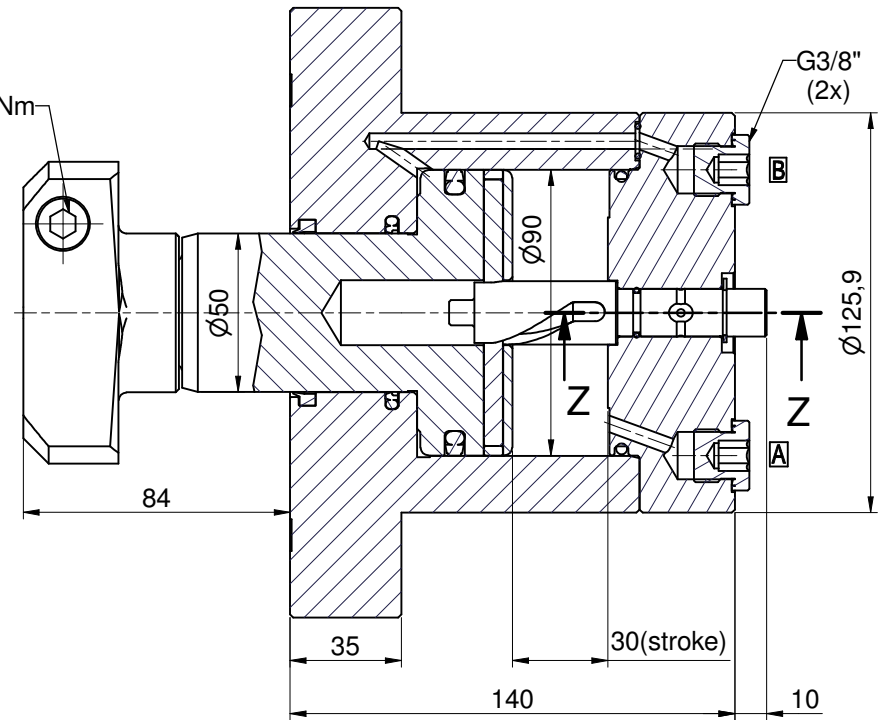


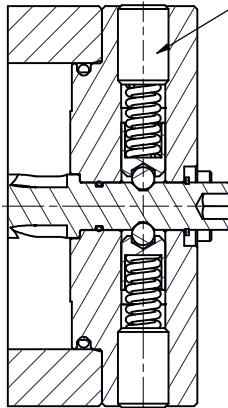
POSITION OF HAMMER WHEN PRESSURIZES PORT "B"



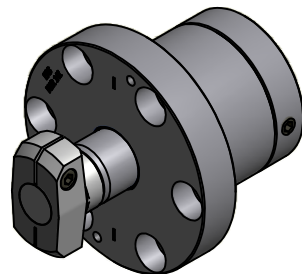
TORQUE 12-14Nm



RETURN SCREWS AFTER BLOCK 180°-200°
USE LOCKTITE 222




SECTION Z-Z



E0038	RELEASED	11/10
EASC	CHANGES	DATE

TOLERANCES ON DIMENSIONS UNLESS SPECIFIED ± MM[inch]					TOL. ON ANGLES UNLESS SPEC.	TOL. ON RADII UNLESS SPEC. ± MM[inch]				
SIZE	0.5-6 [.02-.24]	6-30 [.24-1.18]	30-120 [1.18-4.72]	120-315 [4.72-12.40]	315-1000 [12.40-39.37]	± 1'	SIZE	0.5-3 [.02-.12]	3-6 [.12-.24]	6-30 [.24-1.18]
TOL.	0.1 [.004]	0.2 [.008]	0.3 [.012]	0.5 [.02]	0.8 [.03]	± 1'	TOL.	0.2 [.008]	0.5 [.02]	1 [.04]

SPECIFICATIONS		DIMENSIONS IN BRACKETS ARE IN [INCH]			DESCRIPTION	
		EAS a global company			 DE HOOGHE HOEK 19A 3927 GG RENSWOUDE HOLLAND POSTBOX 460 MILWAUKEE WI 53201-0460 USA	
		3,2 ^{FINISH UNLESS SPECIFIED} √ Raµm [Raµ]				
		SCALE 3:5			DESCRIPTION MSR-141 ASS'Y SWING CLAMP	
ALL ANGULAR DIMENSIONS ARE ± 1' UNLESS SPECIFIED		DO NOT SCALE DRAWING DR. breep CH.			DRAWING NO. MSR-141 Rev 9/02	
GROUP TECH. CODES	C. M.	DATE 15-11-2010			A3	