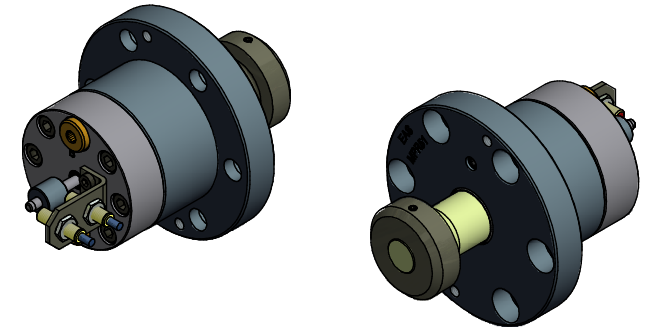
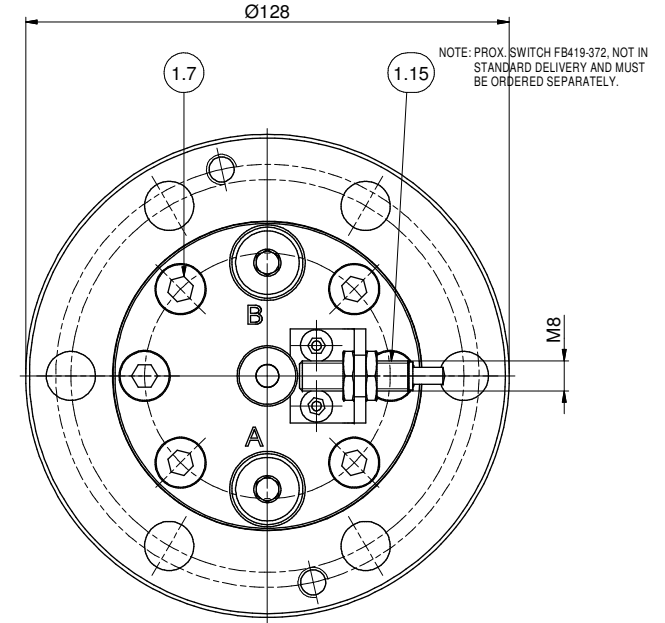
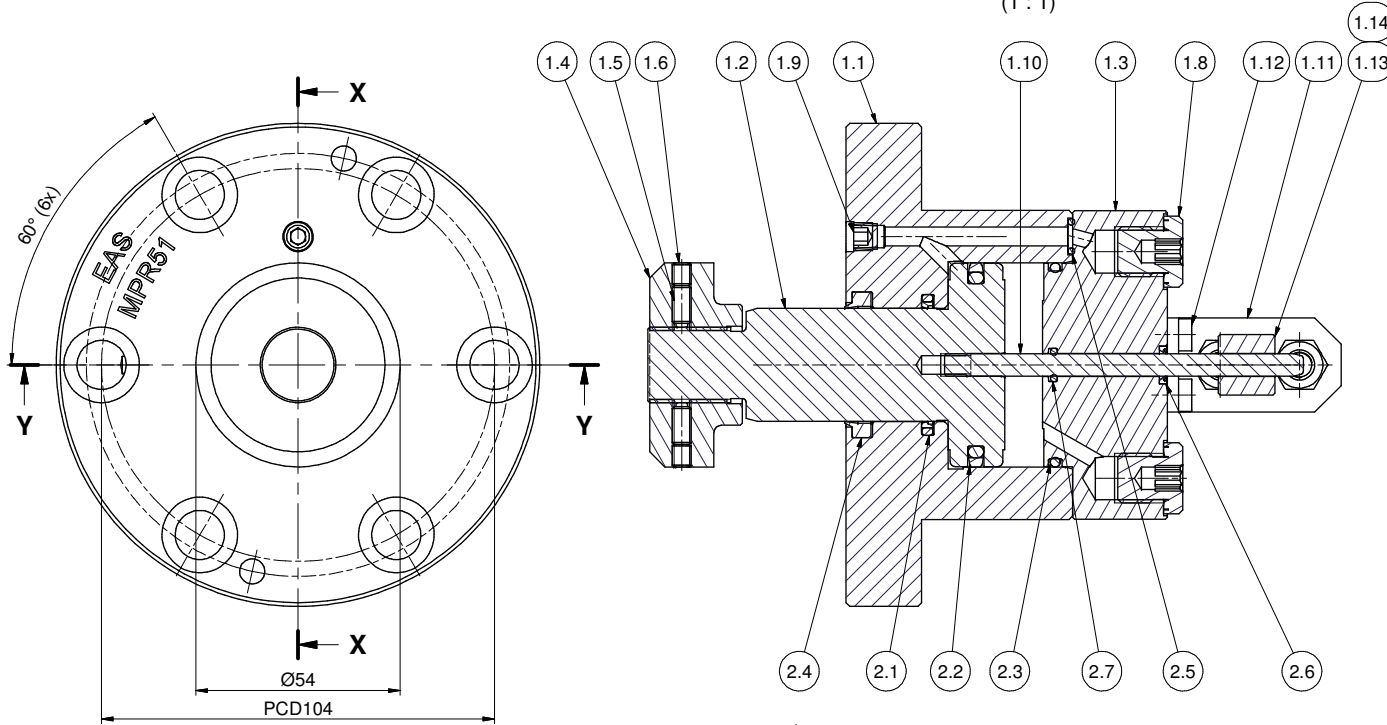
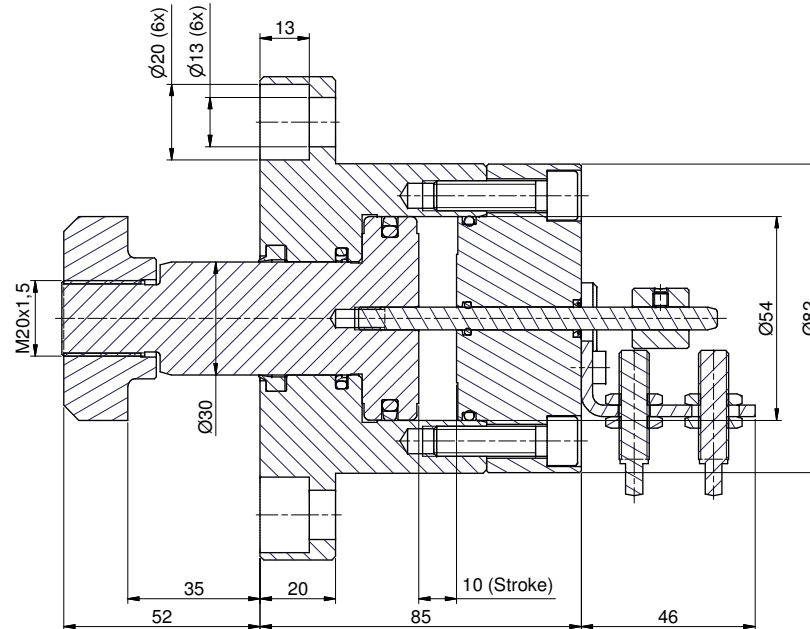


SECTION X-X
(1 : 1)



Parts List			
ITEM	QTY	PART NUMBER	DESCRIPTION
1	1	MPR51-P-99	COMMON PARTS
1.1	1	DQ1141-005	BASE
1.2	1	DQ1142-040	PLUNGER
1.3	1	FB423-044	STOPRING
1.4	1	DQ1144-299	CLAMP ARM
1.5	2	FB102-028	SET SCREW M5x10
1.6	2	CCA511-028-5A	SETSCREW M5x6
1.7	6	CCA825-0281A	SCREW M8x30
1.8	2	CS235-006	TERMINAL PLUG
1.9	1	A1006-245	PLUG 1/16"-27 NPTF
1.10	1	CV531-061	SENSOR PIN
1.11	1	FB424-111	BRACKET
1.12	2	CBA515-028-1D	SCREW M5x10
1.13	1	FB422-039	SENSOR BUSH I.D.6
1.14	1	CCA407-0285A	SCREW M4x4
1.15	(*)	FB419-372	PROX. SWITCH
2	1	MPR51-P-77	MPR51-P-77
2.1	1	DQ1088-041	STEPSEAL
2.2	1	DQ1089-041	GLYDRING
2.3	1	B1135-803	O-RING
2.4	1	DQ1087-776	WIPEP
2.5	1	B1010-803	O-RING
2.6	1	BSS2907D	WIPEP
2.7	1	B1009-803	O-RING



SECTION Y-Y
(1 : 1)

SEE NOTE

E0076A	RELEASED	06/13
EASC	CHANGES	DATE

TOLERANCES ON DIMENSIONS UNLESS SPECIFIED ± MM [inch]					TOL. ON ANGLES UNLESS SPEC.	TOL. ON RADII UNLESS SPEC. ± MM [inch]				
SIZE	0.5-6 [.02-.24]	6-30 [.24-1.18]	30-120 [1.18-4.72]	120-315 [4.72-12.40]	315-1000 [12.40-39.37]	± 1'	SIZE	0.5-3 [.02-.12]	3-6 [.12-.24]	6-30 [.24-1.18]
TOL.	0.1 [0.04]	0.2 [0.08]	0.3 [0.12]	0.5 [0.02]	0.8 [0.03]	± 1'	TOL.	0.2 [0.08]	0.5 [0.02]	1 [0.04]
SPECIFICATIONS						DIMENSIONS IN BRACKETS ARE IN [INCH]				
WEIGHT: ± 4,727 kg						NO CHANGE, NO PROGRESS				
						3.2 FINISH UNLESS SPECIFIED √ Ra μm [Ra μ]				
SCALE 1 : 1						DESCRIPTION PULL CYLINDER ASS'y 50 kN MODEL				
ALL ANGULAR DIMENSIONS ARE ± 1' UNLESS SPECIFIED						DRAWING NO. MPR51-P				
GROUP	C.	DO NOT SCALE DRAWING		DR. breep	DATE 2-7-2013	DATE	Rev A	9/02		
TECH. CODES	M.			CH.			A2			