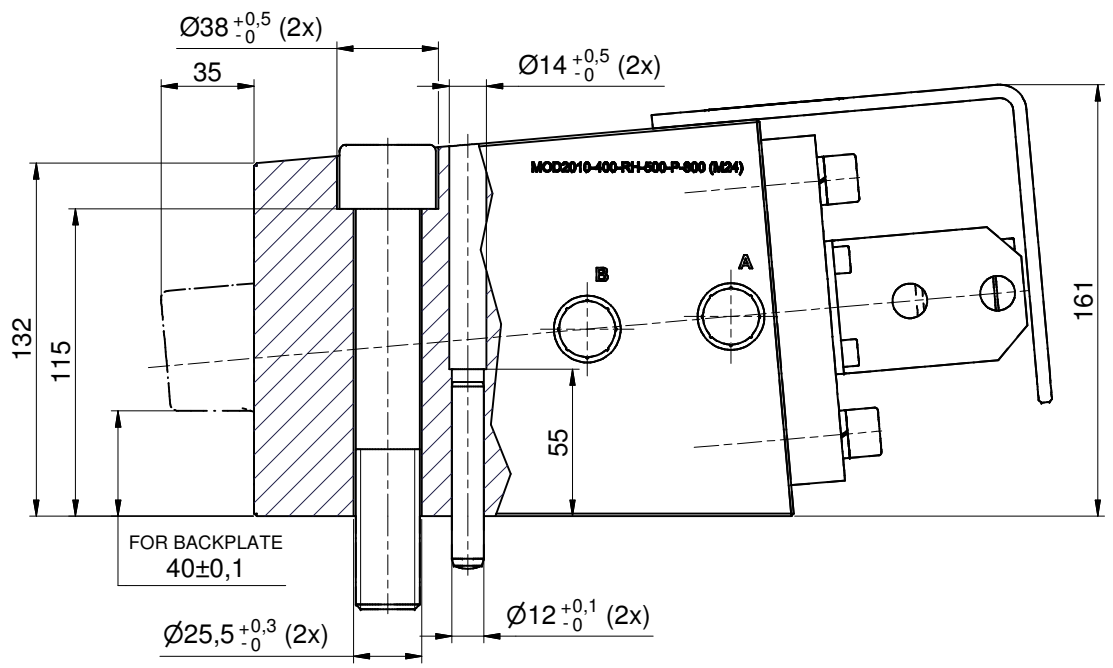
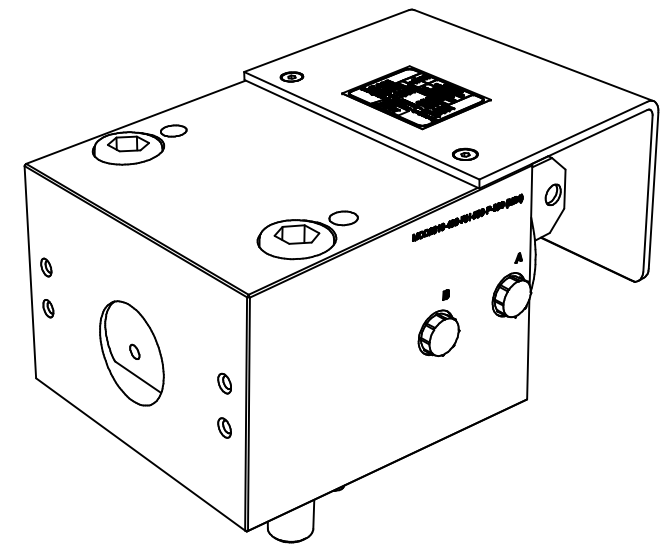
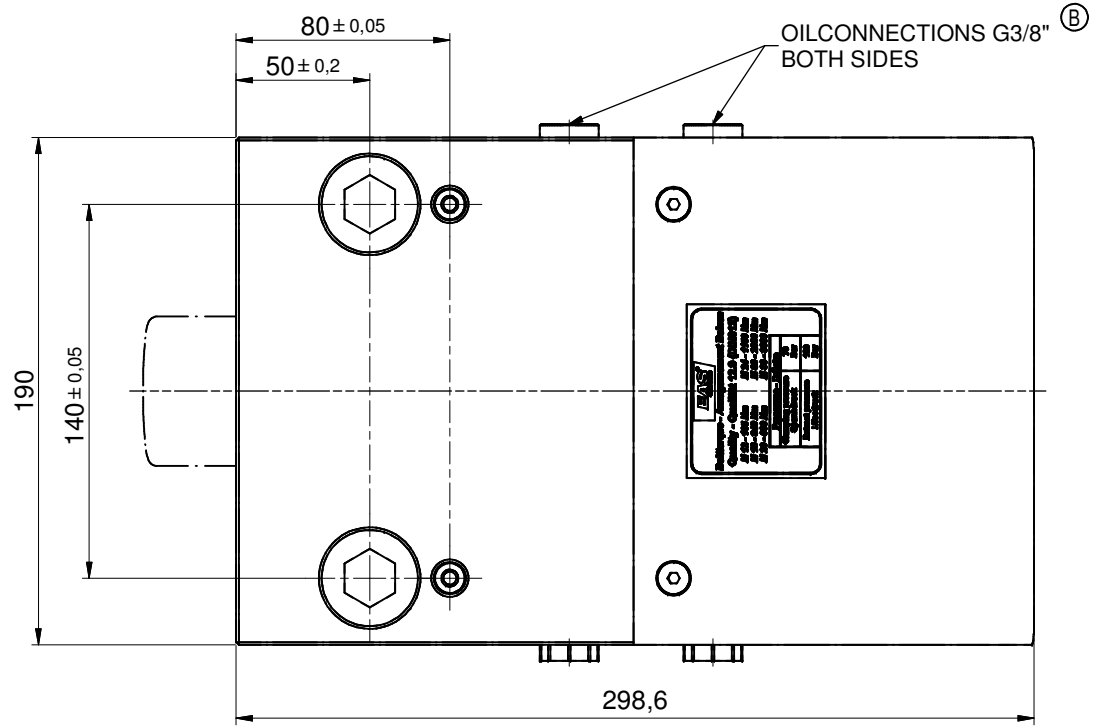


REVISION HISTORY EAS

REV	DESCRIPTION	DATE	APPROVED
A	Add Mounting Material	14-10-2015	breep
B	CH. OILCONNECTIONS w G1/4"	26-1-2017	breep



TOLERANCES ON DIMENSIONS UNLESS SPECIFIED ± MM[inch]						TOL. ON ANGLES UNLESS SPEC.	TOL. ON RADII UNLESS SPEC. ± MM[inch]			
SIZE	0.5-6 [.02-.24]	6-30 [.24-1.18]	30-120 [1.18-4.72]	120-315 [4.72-12.40]	315-1000 [12.40-39.37]		SIZE	0.5-3 [.02-.12]	3-6 [.12-.24]	6-30 [.24-1.18]
TOL.	0.1 [.004]	0.2 [.008]	0.3 [.012]	0.5 [.02]	0.8 [.03]	± 1'	TOL.	0.2 [.008]	0.5 [.02]	1 [.04]
SPECIFICATIONS						DIMENSIONS IN BRACKETS ARE IN [INCH]				
WEIGHT: ± 43,310 kg						NO CHANGE, NO PROGRESS				
ALL ANGULAR DIMENSIONS ARE ± 1' UNLESS SPECIFIED						FINISH UNLESS SPECIFIED				www.EASchangesystems.com DESCRIPTION MOULDCLAMP 200 kN ASS'y
SCALE 1:2						3,2 $\sqrt{Ra\mu m}$ [Raμ]				
GROUP TECH. CODES	C.	M.	DO NOT SCALE DRAWING	DR. welgravenj CH.	DATE 10-2-2014	DRAWING NO. MOD2010-400-RH-500-P-800 (M24)(E0097)				
					DATE	Rev B	9/02 A3			