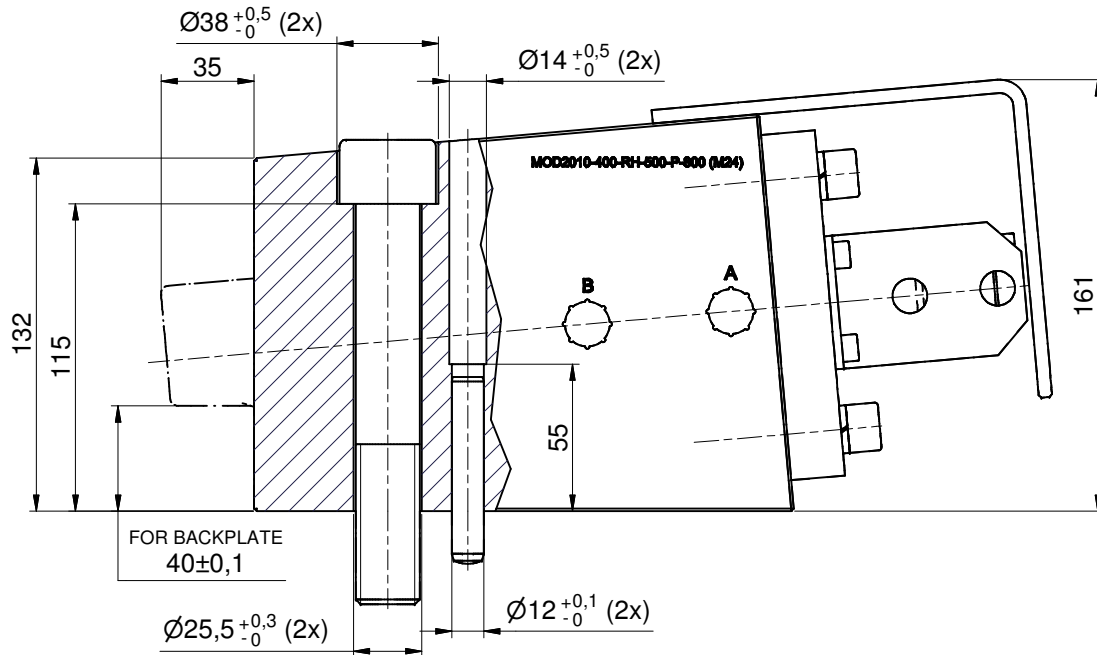
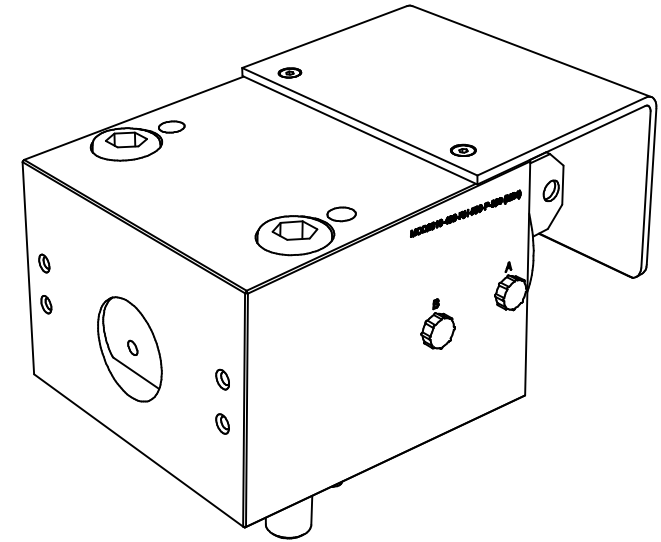
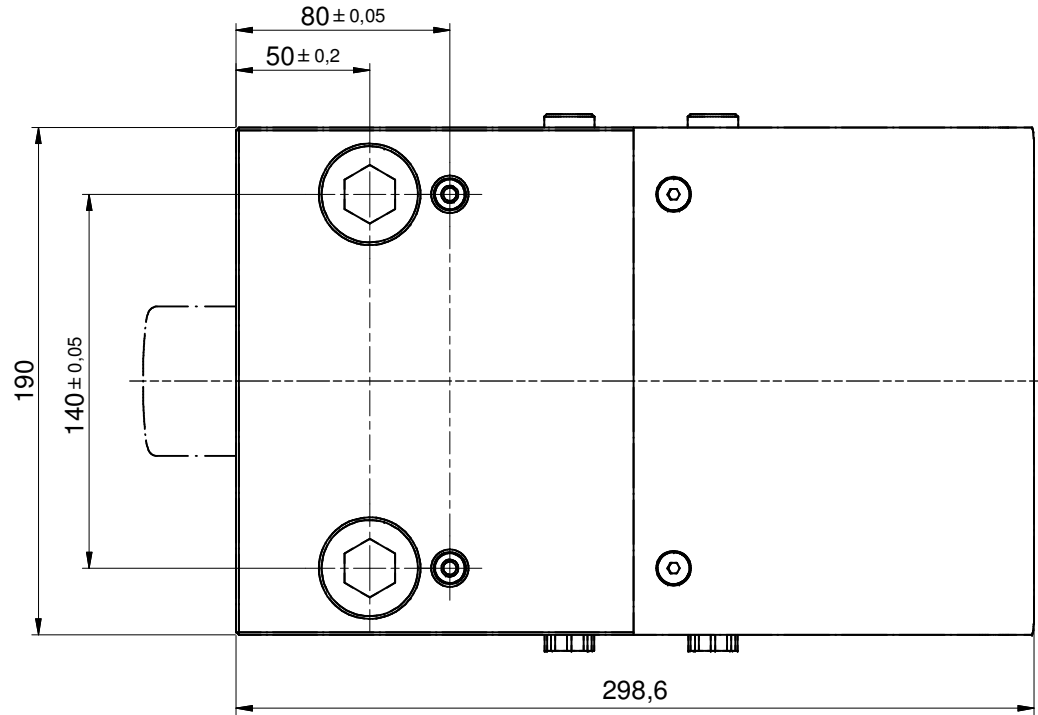



REVISION HISTORY EAS

REV	DESCRIPTION	DATE	APPROVED
A	Add Mounting Material	14-10-2015	breep



TOLERANCES ON DIMENSIONS UNLESS SPECIFIED ± MM[inch]						TOL. ON ANGLES UNLESS SPEC.	TOL. ON RADII UNLESS SPEC. ± MM[inch]			
SIZE	0.5-6 [.02-.24]	6-30 [.24-1.18]	30-120 [1.18-4.72]	120-315 [4.72-12.40]	315-1000 [12.40-39.37]		SIZE	0.5-3 [.02-.12]	3-6 [.12-.24]	6-30 [.24-1.18]
TOL.	0.1 [.004]	0.2 [.008]	0.3 [.012]	0.5 [.02]	0.8 [.03]	± 1°	TOL.	0.2 [.008]	0.5 [.02]	1 [.04]

SPECIFICATIONS		DIMENSIONS IN BRACKETS ARE IN [INCH]			
WEIGHT: ± 43,363 kg		EAS a global company			
ALL ANGULAR DIMENSIONS ARE ± 1° UNLESS SPECIFIED		FINISH UNLESS SPECIFIED $3,2 \sqrt{Ra_{\mu m}}$ [Ra μ]		DESCRIPTION MOULDCLAMP 200 kN ASS'y	
GROUP	C.	SCALE	1:2	DO NOT SCALE DRAWING	DR. welgravenj
TECH. CODES	M.	DATE	10-2-2014	DATE	DATE
				DRAWING NO. MOD2010-400-RH-500AP-800 (M24) Rev 9/02 A3	