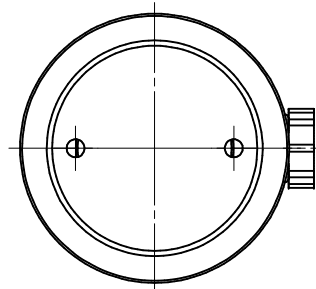

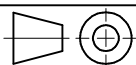


MHC-50-22-XX:

CLAMPFORCE at 350 bar = 46,06 kN
TOTAL STROKE = 12 mm



TOLERANCES ON DIMENSIONS UNLESS SPECIFIED ± MM[inch]						TOL. ON ANGLES UNLESS SPEC.	TOL. ON RADII UNLESS SPEC. ± MM[inch]			
SIZE	0.5-6 [.02-.24]	6-30 [.24-1.18]	30-120 [1.18-4.72]	120-315 [4.72-12.40]	315-1000 [12.40-39.37]		SIZE	0.5-3 [.02-.12]	3-6 [.12-.24]	6-30 [.24-1.18]
TOL.	0.1 [.004]	0.2 [.008]	0.3 [.012]	0.5 [.02]	0.8 [.03]	± 1°	TOL.	0.2 [.008]	0.5 [.02]	1 [.04]
SPECIFICATIONS						DIMENSIONS IN BRACKETS ARE IN [INCH]				 www.EASchangesystems.com DESCRIPTION T-SLOT PULL CYLINDER MHC50-22-XX
WEIGHT: ± 1.780 kg						NO CHANGE, NO PROGRESS				
ALL ANGULAR DIMENSIONS ARE ± 1° UNLESS SPECIFIED						FINISH UNLESS SPECIFIED $3,2 \sqrt{Ra\mu m [Ra\mu]}$				
SCALE 1 : 1.25										
GROUP TECH. CODES	C.		DO NOT SCALE DRAWING	DR. Yue	DATE 2020/4/3	DRAWING NO. MHC50-22-XX		Rev	9/02	
	M.			CH.	DATE				A3	