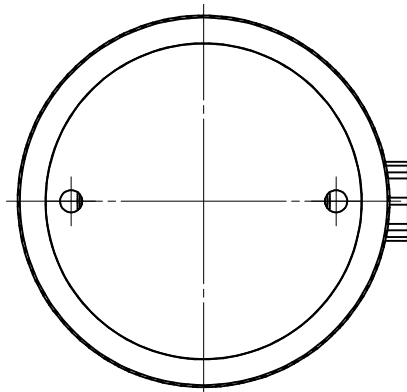

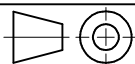


**MHC-110-28-XX:**

**CLAMPFORCE at 350 bar = 113,65 kN**  
**TOTAL STROKE = 12 mm**



TOLERANCES ON DIMENSIONS UNLESS SPECIFIED ± MM[inch]						TOL. ON ANGLES UNLESS SPEC.	TOL. ON RADII UNLESS SPEC. ± MM[inch]				
SIZE	0.5-6 [.02-.24]	6-30 [.24-1.18]	30-120 [1.18-4.72]	120-315 [4.72-12.40]	315-1000 [12.40-39.37]		SIZE	0.5-3 [.02-.12]	3-6 [.12-.24]	6-30 [.24-1.18]	
TOL.	0.1 [.004]	0.2 [.008]	0.3 [.012]	0.5 [.02]	0.8 [.03]	± 1°	TOL.	0.2 [.008]	0.5 [.02]	1 [.04]	
SPECIFICATIONS						DIMENSIONS IN BRACKETS ARE IN [INCH]				 www.EASchangesystems.com DESCRIPTION <b>T-SLOT PULL CYLINDER            MHC110-28-XX</b>	
WEIGHT: ± 3.854 kg						NO CHANGE, NO PROGRESS					
ALL ANGULAR DIMENSIONS ARE ± 1° UNLESS SPECIFIED						FINISH UNLESS SPECIFIED 3,2 $\sqrt{Ra\mu m}$ [Ra $\mu$ ]					
SCALE 1 : 1.25											
GROUP TECH. CODES	C.		DO NOT SCALE DRAWING	DR. CH.	Yue	DATE	2020/4/9	DRAWING NO. MHC110-28-XX		Rev	9/02
	M.					DATE					A3