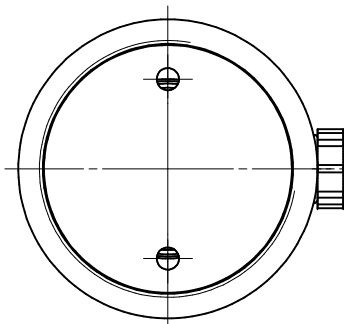


MHC-70-28-XX:

**CLAMPFORCE at 350 bar = 69,17 kN
TOTAL STROKE = 12 mm**



TOLERANCES ON DIMENSIONS UNLESS SPECIFIED \pm MM[inch]						TOL. ON ANGLES UNLESS SPEC.	TOL. ON RADII UNLESS SPEC. \pm MM[inch]			
SIZE	0.5-6 [.02-.24]	6-30 [.24-1.18]	30-120 [1.18-4.72]	120-315 [4.72-12.40]	315-1000 [12.40-39.37]		SIZE	0.5-3 [.02-.12]	3-6 [.12-.24]	6-30 [.24-1.18]
TOL.	0.1 [.004]	0.2 [.008]	0.3 [.012]	0.5 [.02]	0.8 [.03]	$\pm 1^\circ$	TOL.	0.2 [.008]	0.5 [.02]	1 [.04]
SPECIFICATIONS						DIMENSIONS IN BRACKETS ARE IN [INCH]				
WEIGHT: ± 2.557 kg						NO CHANGE, NO PROGRESS				
						3,2 $\sqrt{Ra\mu m}$ [Ra μ]				
ALL ANGULAR DIMENSIONS ARE $\pm 1^\circ$ UNLESS SPECIFIED						SCALE	1 : 1,25			
GROUP	C.					DO NOT SCALE DRAWING	DR. Yue	DATE 2020/4/3	DESCRIPTION T-SLOT PULLCYLINDER MHC-70-28-xx	
TECH. CODES	M.						CH.	DATE	DRAWING NO. MHC-70-28-XX	Rev 9/02
									A3	