

2 CLAMPING SYSTEMS

2.10 INTEGRATED DOUBLE ACTING WEDGE CLAMP SERIES HECS

Double acting and 140 bar

Capacity: 75, 150, 225, 300 and 400 kN
 Working pressure: 140 bar
 Double acting
 Temperature range: -20°C till + 80 °C

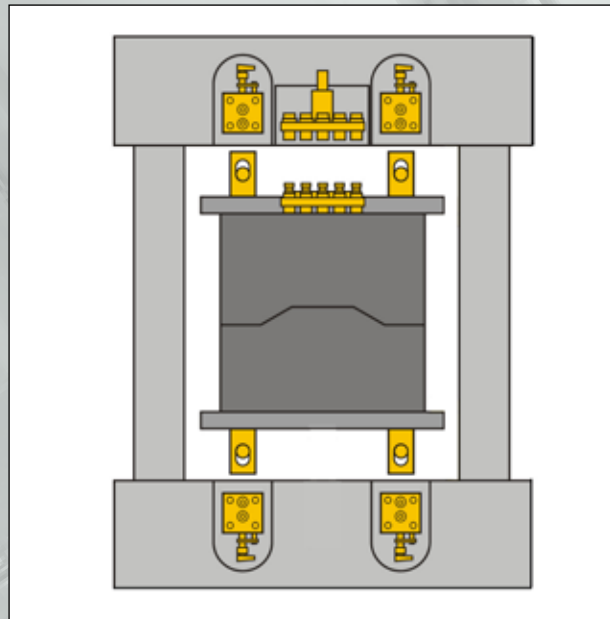
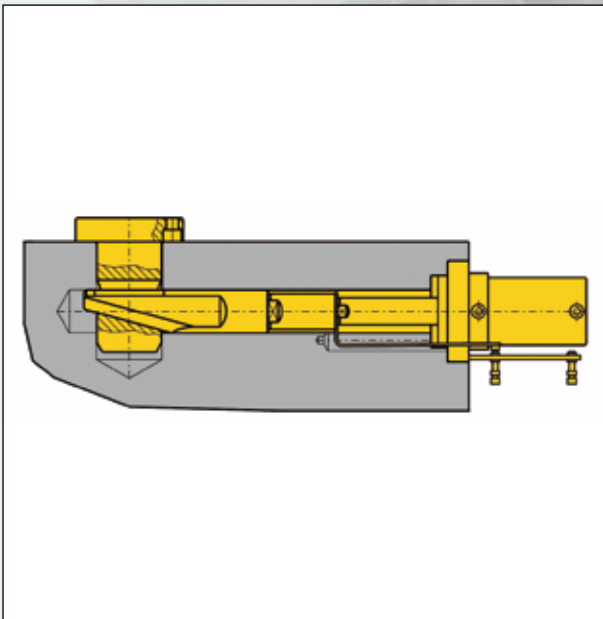
DESCRIPTION

This integrated hydraulic clamping system is mounted on the side of the press upper and lower bed, leaving the platen face completely free of obstructions. Depending on the press size the die is usually clamped using 2 or 4 clamps per platen. Each die would have the corresponding number of EEB clamping bolts mounted on each side of the die.

While these bolts are sticking out these systems are usually only used at the upper bed side of the press. Clamping is achieved when the cylinder moves the wedge on the end of the plunger into the matching wedge shaped slot in the clamping bolt.

This system can only be applied on new presses where the platens can be easily modified to accept the system. Information about mounting holes is available from your EAS source.

For more detailed information ask EAS.



SELECTION CHART

EAS Model Number	Clamping force (kN)	Operating pressure (bar)	Outside diameter (mm)	Cylinder length (mm)	Related bolt number	Bolt diameter (mm)
HECS 40	75	140	88	108	EEB 40/41	40
HECS 70	150	140	120	145	EEB 70/71	70
HECS 95	225	140	165	233	EEB 95	95
HECS 120	300	140	210	245	EEB 120	120
HECS 135	400	140	210	245	EEB 135	135

For more detailed information ask EAS.

