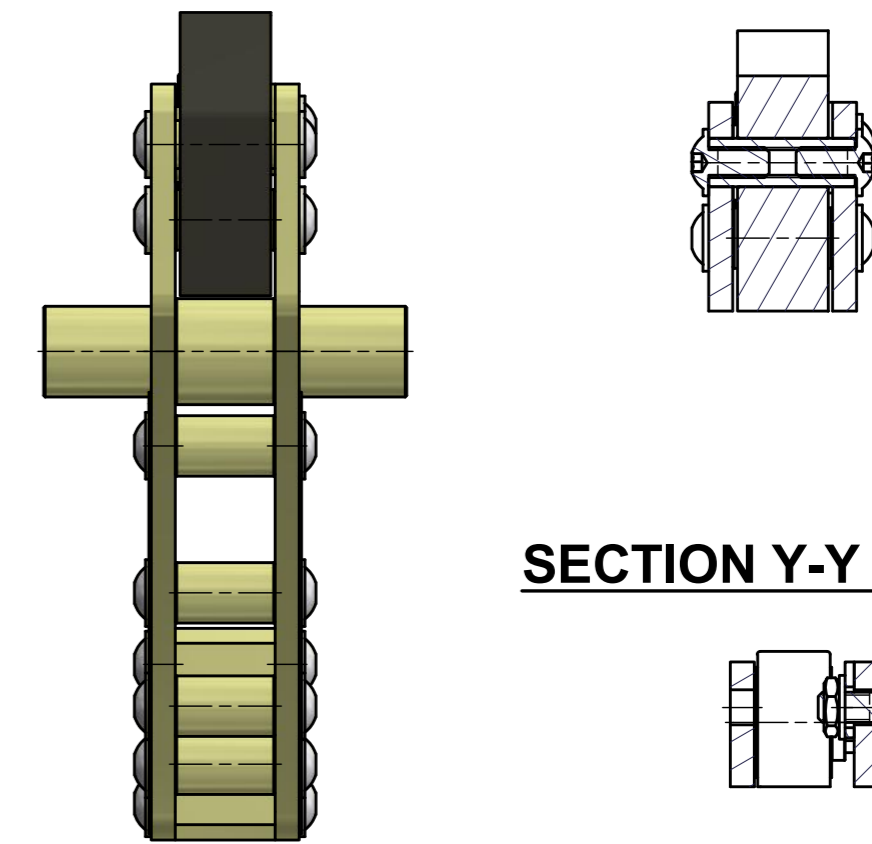
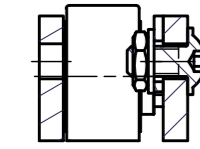


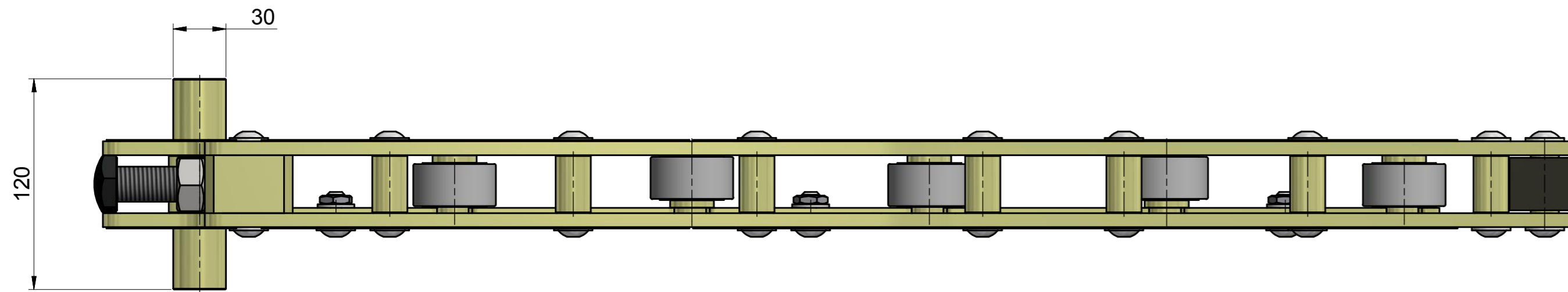
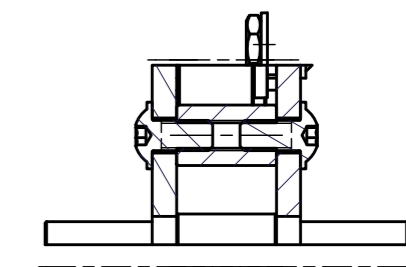
SECTION X-X (1 : 2.5)



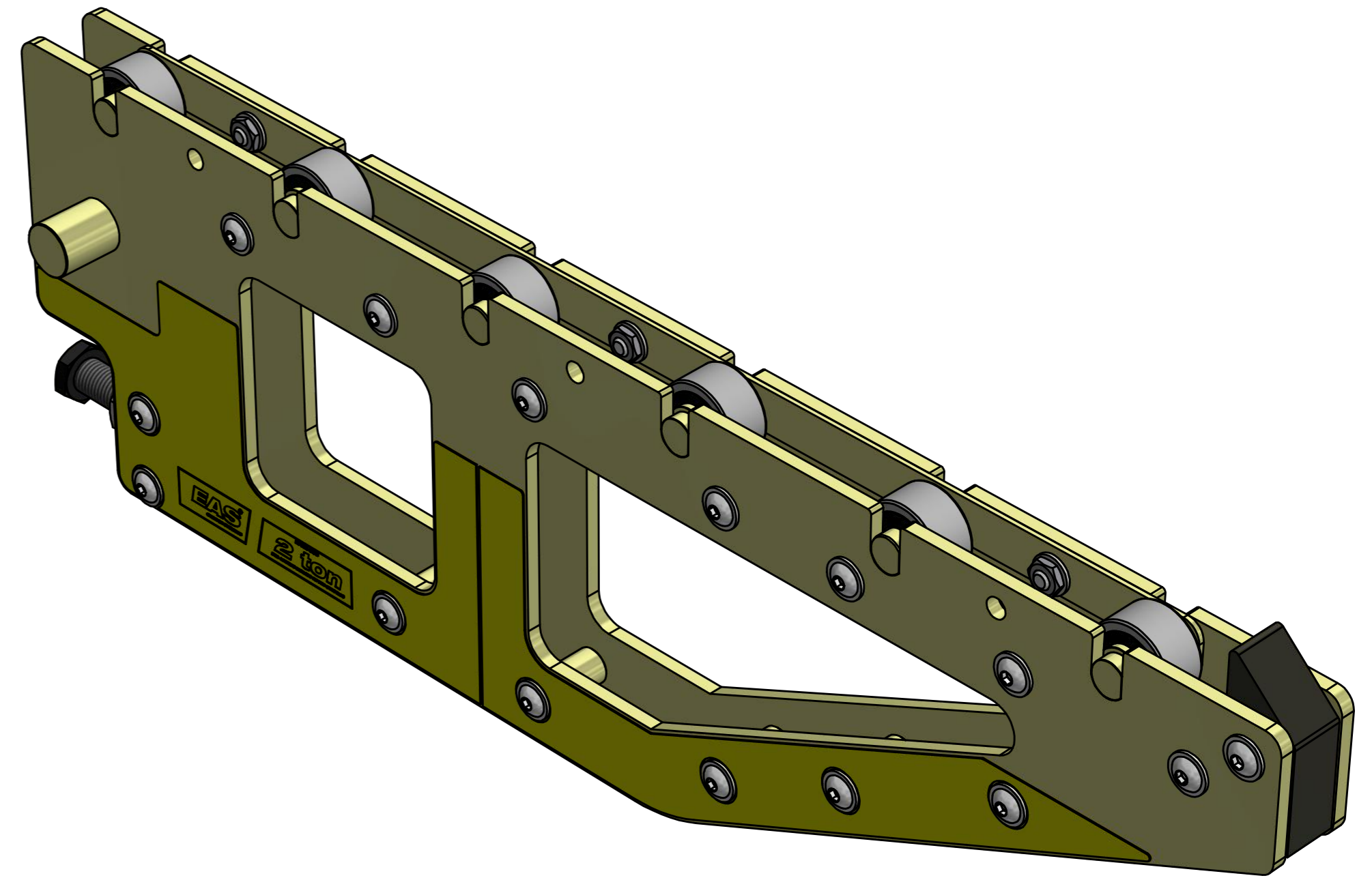
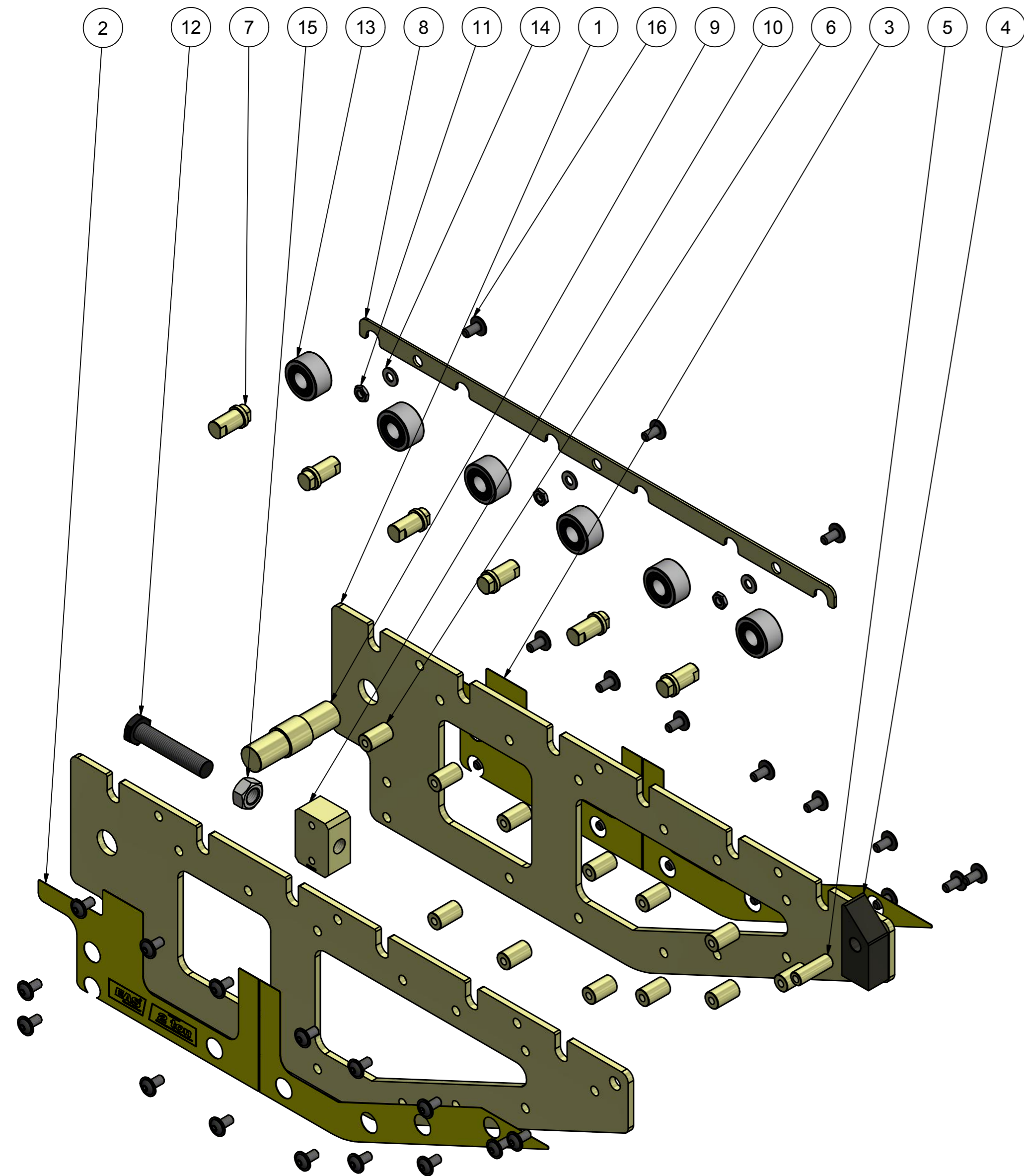
SECTION Y-Y (1 : 2.5)



SECTION Z-Z (1 : 2.5)



REVISION HISTORY EAS									
REV	ECO		DESCRIPTION			DATE	APPROVED		
-	E0105		RELEASED ACC. ECO			2017/11/24	welgravenj		
TOLERANCES ON DIMENSIONS UNLESS SPECIFIED ± MM[inch]						TOL. ON ANGLES UNLESS SPEC.	TOL. ON RADII UNLESS SPEC. ± MM[inch]		
SIZE	0.5-6 [.02-.24]	6-30 [.24-1.18]	30-120 [1.18-4.72]	120-315 [4.72-12.40]	315-1000 [12.40-39.37]	SIZE	0.5-3 [.02-.12]	3-6 [.12-.24]	6-30 [.24-1.18]
TOL.	0.1 [.004]	0.2 [.008]	0.3 [.012]	0.5 [.02]	0.8 [.03]	± 1'	TOL.	0.2 [.008]	0.5 [.02]
SPECIFICATIONS			DIMENSIONS IN BRACKETS ARE IN [INCH]						
WEIGHT: ± 19,755 kg			NO CHANGE, NO PROGRESS						
ALL ANGULAR DIMENSIONS ARE ± 1' UNLESS SPECIFIED			3,2 $\sqrt{Ra\mu m}$ [Raμ]						
SCALE 1:2.5			DO NOT SCALE DRAWING			DR. Yue DATE 15-2-2017			DESCRIPTION EPR2-800 ASSY
GROUP TECH. CODES	C.	M.	DATE 15-2-2017			DRAWING NO. FB908-950		Rev 9/02	
								page 1 of 2	



Parts List											
ITEM	QTY	PART NUMBER				DESCRIPTION					
1	2	FB909-101				CONSOLE PLATE					
2	1	FB910-026				DECAL 1-0,7mm PVC					
3	1	FB911-026				DECAL 2-0,7mm PVC					
4	1	FB620-044				END STOP					
5	1	FB621-104				SHAFT END STOP					
6	12	FB622-186				SPACER					
7	6	FB759-104				ROLLER SHAFT					
8	1	FB703-101				MOUNTING PLATE					
9	1	FB760-104				SUSPENSION SHAFT					
10	1	FB761-690				LEVELLING BLOCK					
11	3	DQ1397.120				THIN NUT M10					
12	1	DQ1509.028				POSITIONING BOLT					
13	6	DQ1513-281				ROLLER rd 47					
14	3	CAE1100-1081A				WASHER M10					
15	1	CBE1200.120-1D				NUT M20					
16	33	CCE1020-028-9A				SCREW M10x20					
TOLERANCES ON DIMENSIONS UNLESS SPECIFIED ± MM[inch]						TOL. ON ANGLES UNLESS SPEC.		TOL. ON RADII UNLESS SPEC. ± MM[inch]			
SIZE	0.5-6 [02-24]	6-30 [24-1.18]	30-120 [1.18-4.72]	120-315 [4.72-12.40]	315-1000 [12.40-39.37]	SIZE	0.5-3 [02-12]	3-6 [12-24]	6-30 [24-1.18]		
TOL.	0.1 [004]	0.2 [008]	0.3 [012]	0.5 [02]	0.8 [03]	± 1'	TOL.	0.2 [008]	0.5 [02]	1 [04]	
SPECIFICATIONS						DIMENSIONS IN BRACKETS ARE IN [INCH]					
WEIGHT: ± 19,755 kg						NO CHANGE, NO PROGRESS					
						3,2 $\sqrt{Ra_{\mu m}}$ [Ra μ]					
						SCALE 1:2.5					
ALL ANGULAR DIMENSIONS ARE ± 1' UNLESS SPECIFIED						DESCRIPTION					
GROUP TECH. CODES						DO NOT SCALE DRAWING		DR. Yue		DATE 15-2-2017	
C.						M.		CH.		DATE	
DRAWING NO. FB908-950						Rev		9/02		A2	



www.EASchangesystems.com
DESCRIPTION
EPR2-800
ASSY