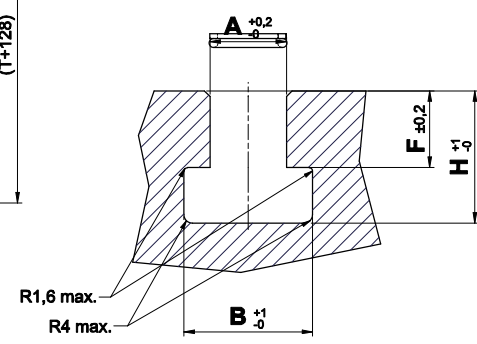
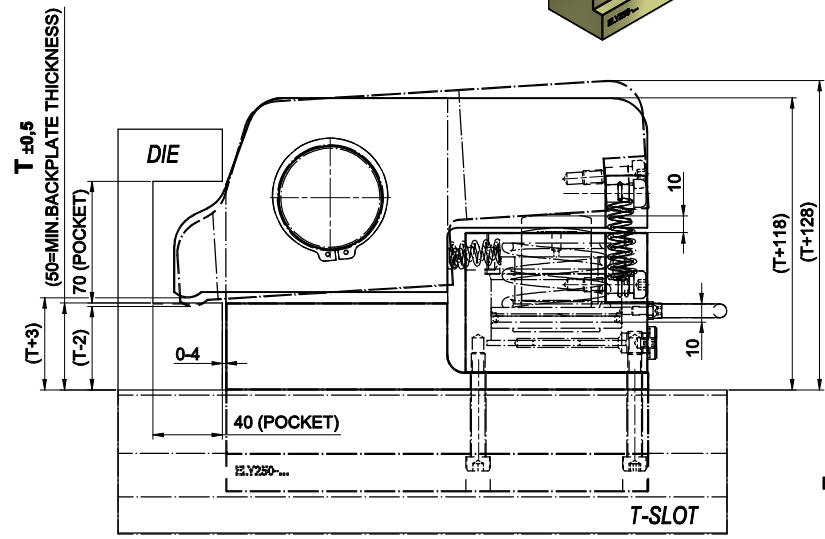
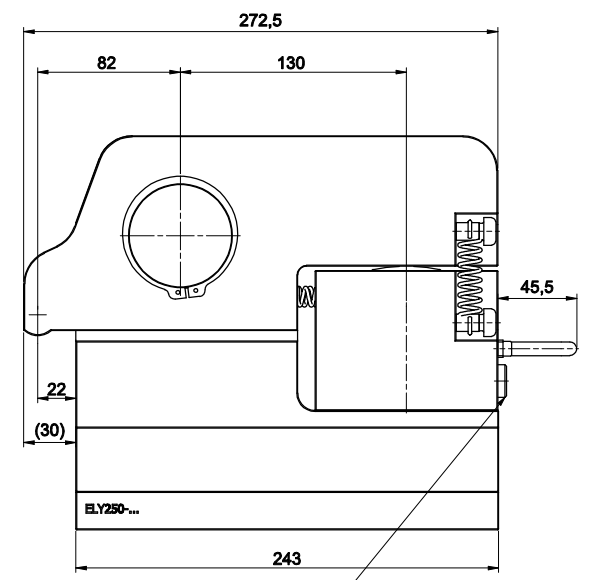
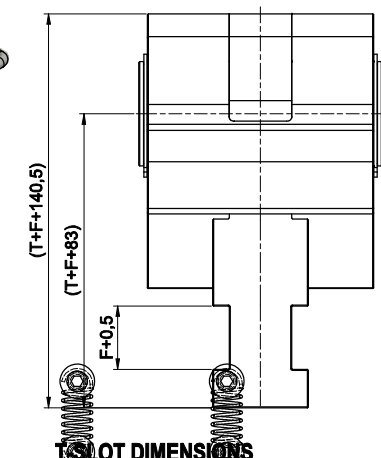


**HEIGHT VARIATION
BASE T-NUT**



SEE CATALOGUE FOR ORDERING INFO AND MINIMAL DIMENSIONS

TOLERANCES ON DIMENSIONS UNLESS SPECIFIED ± MM[inch]					TOL. ON ANGLES UNLESS SPEC.	TOL. ON RADII UNLESS SPEC. ± MM[inch]			
SIZE	0-4 [02-24]	5-30 [24-118]	30-120 [118-472]	120-516 [472-1240]	316-1000 [1240-3937]	SIZE	0-3 [02-12]	3-6 [24-24]	6-30 [24-118]
TOL.	0,1 [004]	0,2 [008]	0,3 [012]	0,5 [02]	0,8 [03]	TOL.	0,2 [008]	0,5 [02]	1 [04]
<p>WEIGHT: ± 30,876 kg</p> <p>ALL ANGULAR DIMENSIONS ARE ± 1° UNLESS SPECIFIED</p> <p>SCALE: 1:2</p> <p>GROUP TECH. CODES: C. M.</p> <p>DO NOT SCALE DRAWING</p> <p>DBI Weigraven</p> <p>DATE: 25-3-2010</p> <p>DATE:</p>									
<p>SPECIFICATIONS</p> <p>NO CHANGE, NO PROGRESS</p> <p>3,2 FINISH UNLESS SPECIFIED</p> <p>√ Ra_{um} [Ray]</p>						<p>EAS CHANGE SYSTEMS</p> <p>www.EASchangesystems.com</p> <p>DESCRIPTION: ROCKER CLAMP 25 TON SPECIFICATION DRAWING</p> <p>DRAWING NO. ELY250 V</p> <p>Rev: 9/02</p> <p>A2</p>			
<p>RE-INSTATE + UP-DATE: JAN. 2020</p> <p>OBSOLETE: 29-01-14</p> <p>RELEASED: 11-10</p> <p>CHANGES: DATE</p>									

THIS PRINT AND INFORMATION THEREIN IS CONFIDENTIAL AND PROPRIETARY AND IS THE PROPERTY OF EAS. IT IS NOT TO BE COPIED OR REPRODUCED WITHOUT WRITTEN PERMISSION OF EAS.