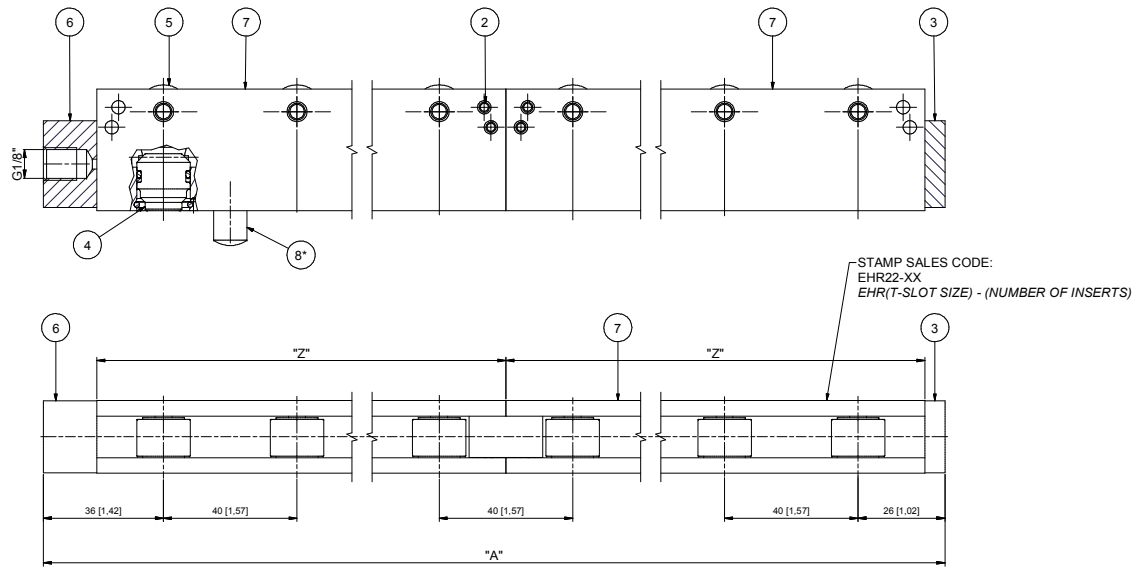


STAMP SALES CODE:  
EHR22-XX  
EHR(T-SLOT SIZE) - (NUMBER OF INSERTS)

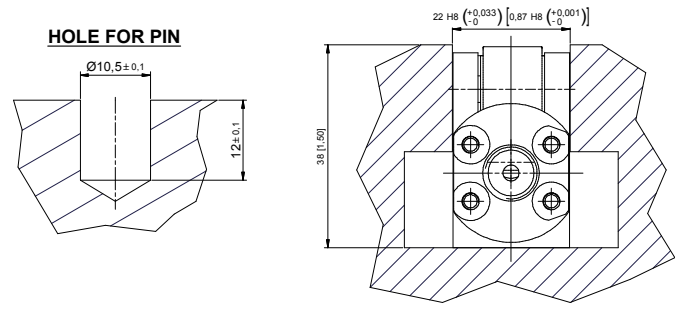


STAMP SALES CODE:  
EHR22-XX  
EHR(T-SLOT SIZE) - (NUMBER OF INSERTS)

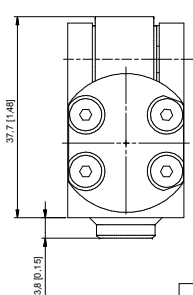
SINGLE HYDRAULIC ROLLER DIE LIFTER									
EHR22-	LENGHT "A"	CAPACITY PER ROLLER (KG)	LIFTING CAPACITY (KG)	FB360-005	EHR22-550 (QTY)	EHR22-660 (QTY)	EHR22-670 (QTY)	EHR22-680 (QTY)	EHR22-690 (QTY)
3	142	200	600	1x Z=120	3	1	1	3	0
4	162	200	800	1x Z=160	4	1	1	4	0
5	222	200	1000	1x Z=200	5	1	1	5	0
6	262	200	1200	1x Z=240	6	1	1	6	0
7	302	200	1400	1x Z=280	7	1	1	7	0
8	342	200	1600	1x Z=320	8	1	1	8	0
9	382	200	1800	1x Z=360	9	1	1	9	0
10	422	200	2000	1x Z=400	10	1	1	10	0
11	462	200	2200	1x Z=440	11	1	1	11	0
12	502	200	2400	1x Z=480	12	1	1	12	0
13	542	200	2600	1x Z=520	13	1	1	13	0
14	582	200	2800	1x Z=560	14	1	1	14	0
15	622	200	3000	1x Z=600	15	1	1	15	0
16	662	200	3200	1x Z=640	16	1	1	16	0
17	702	200	3400	1x Z=680	17	1	1	17	0
18	742	200	3600	1x Z=720	18	1	1	18	0
19	782	200	3800	1x Z=760	19	1	1	19	0
20	822	200	4000	1x Z=800	20	1	1	20	0
21	862	200	4200	1x Z=840	21	1	1	21	0
22	902	200	4400	1x Z=880	22	1	1	22	0
23	942	200	4600	1x Z=920	23	1	1	23	0
24	982	200	4800	1x Z=960	24	1	1	24	0
25	1022	200	5000	1x Z=1000	25	1	1	25	0
26	1062	200	5200	1x Z=1040	26	1	1	26	0

DOUBLE HYDRAULIC ROLLER DIE LIFTER										
EHR22-	LENGHT "A"	CAPACITY PER ROLLER (KG)	LIFTING CAPACITY (KG)	FB360-005	FB360-005	EHR22-550 (QTY)	EHR22-660 (QTY)	EHR22-670 (QTY)	EHR22-680 (QTY)	EHR22-690 (QTY)
27	1102	200	5400	1x Z=520	1x Z=560	27	1	1	27	1
28	1142	200	5600	1x Z=560	1x Z=560	28	1	1	28	1
29	1182	200	5800	1x Z=560	1x Z=600	29	1	1	29	1
30	1222	200	6000	1x Z=600	1x Z=600	30	1	1	30	1
31	1262	200	6200	1x Z=600	1x Z=640	31	1	1	31	1
32	1302	200	6400	1x Z=640	1x Z=640	32	1	1	32	1
33	1342	200	6600	1x Z=640	1x Z=680	33	1	1	33	1
34	1382	200	6800	1x Z=680	1x Z=680	34	1	1	34	1
35	1422	200	7000	1x Z=680	1x Z=720	35	1	1	35	1
36	1462	200	7200	1x Z=720	1x Z=720	36	1	1	36	1
37	1502	200	7400	1x Z=720	1x Z=760	37	1	1	37	1
38	1542	200	7600	1x Z=760	1x Z=760	38	1	1	38	1
39	1582	200	7800	1x Z=760	1x Z=800	39	1	1	39	1
40	1622	200	8000	1x Z=800	1x Z=800	40	1	1	40	1
41	1662	200	8200	1x Z=800	1x Z=840	41	1	1	41	1
42	1702	200	8400	1x Z=840	1x Z=840	42	1	1	42	1
43	1742	200	8600	1x Z=840	1x Z=880	43	1	1	43	1
44	1782	200	8800	1x Z=880	1x Z=880	44	1	1	44	1
45	1822	200	9000	1x Z=880	1x Z=920	45	1	1	45	1
46	1862	200	9200	1x Z=920	1x Z=920	46	1	1	46	1
47	1902	200	9400	1x Z=920	1x Z=960	47	1	1	47	1
48	1942	200	9600	1x Z=960	1x Z=960	48	1	1	48	1
49	1982	200	9800	1x Z=960	1x Z=1000	49	1	1	49	1
50	2022	200	10000	1x Z=1000	1x Z=1000	50	1	1	50	1
51	2062	200	10200	1x Z=1000	1x Z=1040	51	1	1	51	1
52	2102	200	10400	1x Z=1040	1x Z=1040	52	1	1	52	1

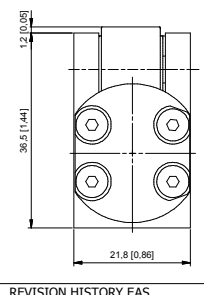
**T-SLOT INFORMATION**



**LIFTING POSITION**



**PRESSURELESS POSITION**



Parts List			
ITEM	QTY	PART NUMBER	DESCRIPTION
2	*	EHR22-690	MIDDLE CONNECTION ASSY
3	*	EHR22-670	END STOP ASSY
4	*	EHR22-550	PLUNGER ASSY
5	*	EHR22-680	ROLLER ASSY
6	*	EHR22-660	FRONT CONNECT ASSY
7	*	FB360-005	BASE EHR22
8*	*	CAA1023-061-2A	PIN-PARALLEL O.D. 10x20

TOLERANCES ON DIMENSIONS UNLESS SPECIFIED # MM(INCH)											
SIZE	0-6	6-30	30-120	120-315	315-1000	TOL. ON ANGLES UNLESS SPEC.	0-3	3-6	6-30	TOL. ON RADI UNLESS SPEC. # MM(INCH)	
	(02-24)	(24-1.18)	(1-18-4.72)	(12-30-3.35)	(12-40-38.37)		(02-12)	(12-24)	(24-1.18)		
TOL.	0.11(0.04)	0.2(0.008)	0.3(0.012)	0.5(0.02)	0.8(0.03)	± 1	0.1	0.2(0.008)	0.5(0.02)	1.0(0.04)	

SPECIFICATIONS			
DIMENSIONS IN BRACKETS ARE IN [INCH]			
NO CHANGE, NO PROGRESS			
FINISH UNLESS SPECIFIED			
3.2 Raum [Raμ]			
SCALE 1.25 : 1			
ALL ANGULAR DIMENSIONS ARE ± 1° UNLESS SPECIFIED			

REVISION HISTORY EAS			
REV	DESCRIPTION	DATE	DRAFTER
A	ADD CAPACITY COLUMNS TO THE TABLE	2019/10/21	Yue

GROUP	DATE	SCALE	DO NOT SCALE	DATE	SCALE	DATE	SCALE	DATE	SCALE
M	2019/10/21	1.25 : 1	1.25 : 1	2019/10/21	1.25 : 1	2019/10/21	1.25 : 1	2019/10/21	1.25 : 1

DRAWING NO.		Rev	
EHR22-...		9/02	



DIE LIFTER ROLLER 22