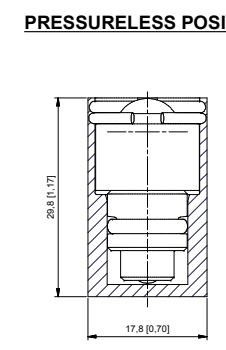
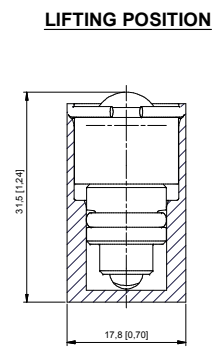
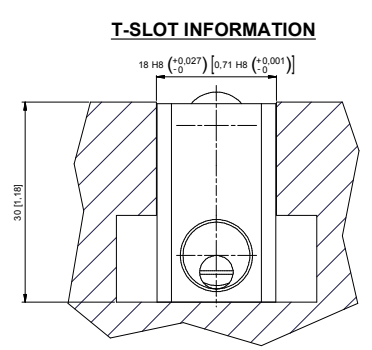
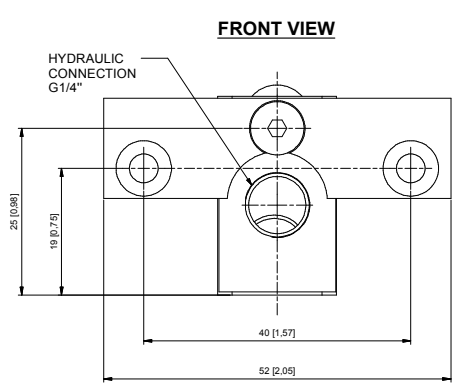


HYDRAULIC BALL DIE LIFTER									
EHB18-...	LENGHT "A"	CAPACITY PER ROLLER (KG)	LIFTING CAPACITY (KG)	FB300-005	EHB18-550 (QTY)	EHB18-660 (QTY)	EHB18-670 (QTY)	EHB18-690 (QTY)	EHB22-680 (QTY)
3	130	70	210	Z = 100	3	1	1	0	1
4	160	70	280	Z = 130	4	1	1	0	1
5	190	70	350	Z = 160	5	1	1	0	1
6	220	70	420	Z = 190	6	1	1	0	1
7	250	70	490	Z = 220	7	1	1	0	1
8	280	70	560	Z = 250	8	1	1	0	1
9	310	70	630	Z = 280	9	1	1	0	1
10	340	70	700	Z = 310	10	1	1	0	1
11	370	70	770	Z = 340	11	1	1	0	1
12	400	70	840	Z = 370	12	1	1	0	1
13	430	70	910	Z = 400	13	1	1	0	1
14	460	70	980	Z = 430	14	1	1	0	1
15	490	70	1050	Z = 460	15	1	1	0	1
16	520	70	1120	Z = 490	16	1	1	0	1
17	550	70	1190	Z = 520	17	1	1	0	1
18	580	70	1260	Z = 550	18	1	1	0	1
19	610	70	1330	Z = 580	19	1	1	0	1

CONNECTED HYDRAULIC DIE LIFTER										
EHB18-...	LENGHT "A"	CAPACITY PER ROLLER (KG)	LIFTING CAPACITY (KG)	FB300-005	FB300-005	EHB18-550 (QTY)	EHB18-660 (QTY)	EHB18-670 (QTY)	EHB18-690 (QTY)	EHB22-680 (QTY)
20	653	70	1400	Z = 310	Z = 310	20	1	1	1	2
21	683	70	1470	Z = 310	Z = 340	21	1	1	1	2
22	713	70	1540	Z = 340	Z = 340	22	1	1	1	2
23	743	70	1610	Z = 340	Z = 370	23	1	1	1	2
24	773	70	1680	Z = 370	Z = 370	24	1	1	1	2
25	803	70	1750	Z = 370	Z = 400	25	1	1	1	2
26	833	70	1820	Z = 400	Z = 400	26	1	1	1	2
27	863	70	1890	Z = 400	Z = 430	27	1	1	1	2
28	893	70	1960	Z = 430	Z = 430	28	1	1	1	2
29	923	70	2030	Z = 430	Z = 460	29	1	1	1	2
30	953	70	2100	Z = 460	Z = 460	30	1	1	1	2
31	983	70	2170	Z = 460	Z = 490	31	1	1	1	2
32	1013	70	2240	Z = 490	Z = 490	32	1	1	1	2
33	1043	70	2310	Z = 490	Z = 520	33	1	1	1	2
34	1073	70	2380	Z = 520	Z = 520	34	1	1	1	2
35	1103	70	2450	Z = 520	Z = 550	35	1	1	1	2
36	1133	70	2520	Z = 550	Z = 550	36	1	1	1	2
37	1163	70	2590	Z = 550	Z = 580	37	1	1	1	2
38	1193	70	2660	Z = 580	Z = 580	38	1	1	1	2



REVISION HISTORY EAS			
REV	DESCRIPTION	DATE	DRAFTER
A	ADD CAPACITY COLUMNS TO THE TABLE	2019/11/18	Yue

Parts List			
ITEM	QTY	PART NUMBER	DESCRIPTION
1	*	FB300-005	EHB18 BASE
2	*	EHB18-550	PLUNGER ASSY
3	*	EHB18-660	FRONT CONNECT ASSY
4	*	EHB18-670	END STOP ASSY
5	*	EHB18-690	MIDDLE CONNECTION ASSY
6	*	EHB 22-680	AIR RELIEF ASSY

TOLERANCES ON DIMENSIONS UNLESS SPECIFIED # MM(INCH) TOL. ON RADII UNLESS SPEC. # MM(INCH)

SIZE	0-6 (02-24)	6-30 (24-118)	30-120 (118-472)	120-315 (472-1240)	315-1500 (1240-5913)
TOL.	0.11(004)	0.21(008)	0.31(012)	0.51(02)	0.81(03)

NO CHANGE, NO PROGRESS

3.2  $\sqrt{Ra}$  UNLESS SPECIFIED

SCALE 1.5:1

ALL ANGULAR DIMENSIONS ARE # 1 UNLESS SPECIFIED

DO NOT SCALE DRAWING

DATE 2014/07/27

DR. Jodard

DATE

DESCRIPTION DIE LIFTER BALL 18

DRAWING NO. EHB18-...

Rev A

9/02 A1

