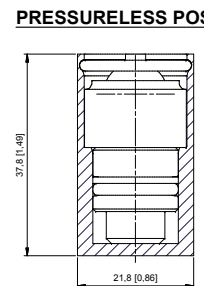
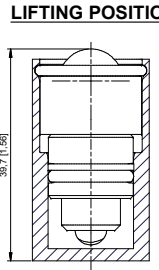
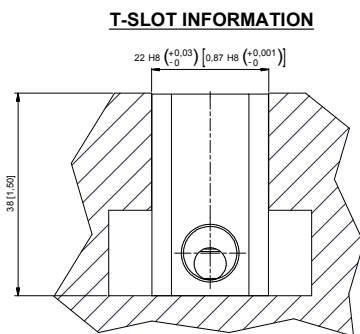
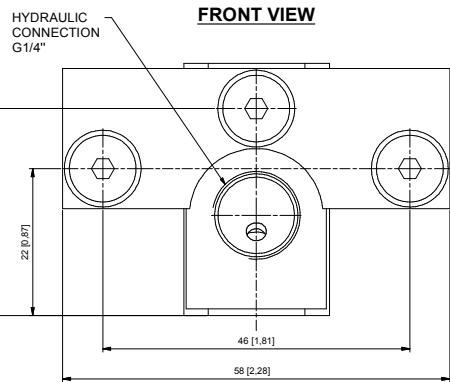


| SINGLE HYDRAULIC BALLS DIE LIFTER | | | | | | | | | |
|-----------------------------------|------------|--------------------------|-----------------------|------------|------------------|------------------|------------------|------------------|------------------|
| EHB 22-... | LENGHT "A" | CAPACITY PER ROLLER (KG) | LIFTING CAPACITY (KG) | FB340-005 | EHB 22-550 (QTY) | EHB 22-660 (QTY) | EHB 22-670 (QTY) | EHB 22-680 (QTY) | EHB 22-690 (QTY) |
| 3 | 160 | 100 | 300 | 1x Z= 120 | 3 | 1 | 1 | 1 | 0 |
| 4 | 200 | 100 | 400 | 1x Z= 160 | 4 | 1 | 1 | 1 | 0 |
| 5 | 240 | 100 | 500 | 1x Z= 200 | 5 | 1 | 1 | 1 | 0 |
| 6 | 280 | 100 | 600 | 1x Z= 240 | 6 | 1 | 1 | 1 | 0 |
| 7 | 320 | 100 | 700 | 1x Z= 280 | 7 | 1 | 1 | 1 | 0 |
| 8 | 360 | 100 | 800 | 1x Z= 320 | 8 | 1 | 1 | 1 | 0 |
| 9 | 400 | 100 | 900 | 1x Z= 360 | 9 | 1 | 1 | 1 | 0 |
| 10 | 440 | 100 | 1000 | 1x Z= 400 | 10 | 1 | 1 | 1 | 0 |
| 11 | 480 | 100 | 1100 | 1x Z= 440 | 11 | 1 | 1 | 1 | 0 |
| 12 | 520 | 100 | 1200 | 1x Z= 480 | 12 | 1 | 1 | 1 | 0 |
| 13 | 560 | 100 | 1300 | 1x Z= 520 | 13 | 1 | 1 | 1 | 0 |
| 14 | 600 | 100 | 1400 | 1x Z= 560 | 14 | 1 | 1 | 1 | 0 |
| 15 | 640 | 100 | 1500 | 1x Z= 600 | 15 | 1 | 1 | 1 | 0 |
| 16 | 680 | 100 | 1600 | 1x Z= 640 | 16 | 1 | 1 | 1 | 0 |
| 17 | 720 | 100 | 1700 | 1x Z= 680 | 17 | 1 | 1 | 1 | 0 |
| 18 | 760 | 100 | 1800 | 1x Z= 720 | 18 | 1 | 1 | 1 | 0 |
| 19 | 800 | 100 | 1900 | 1x Z= 760 | 19 | 1 | 1 | 1 | 0 |
| 20 | 840 | 100 | 2000 | 1x Z= 800 | 20 | 1 | 1 | 1 | 0 |
| 21 | 880 | 100 | 2100 | 1x Z= 840 | 21 | 1 | 1 | 1 | 0 |
| 22 | 920 | 100 | 2200 | 1x Z= 880 | 22 | 1 | 1 | 1 | 0 |
| 23 | 960 | 100 | 2300 | 1x Z= 920 | 23 | 1 | 1 | 1 | 0 |
| 24 | 1000 | 100 | 2400 | 1x Z= 960 | 24 | 1 | 1 | 1 | 0 |
| 25 | 1040 | 100 | 2500 | 1x Z= 1000 | 25 | 1 | 1 | 1 | 0 |
| 26 | 1080 | 100 | 2600 | 1x Z= 1040 | 26 | 1 | 1 | 1 | 0 |

| DOUBLE HYDRAULIC BALLS DIE LIFTER | | | | | | | | | |
|-----------------------------------|------------|--------------------------|-----------------------|------------|------------|------------------|------------------|------------------|------------------|
| EHB 22-... | LENGHT "B" | CAPACITY PER ROLLER (KG) | LIFTING CAPACITY (KG) | FB340-005 | FB340-005 | EHB 22-550 (QTY) | EHB 22-660 (QTY) | EHB 22-670 (QTY) | EHB 22-680 (QTY) |
| 27 | 1123 | 100 | 2700 | 1x Z= 520 | 1x Z= 560 | 27 | 1 | 1 | 2 |
| 28 | 1163 | 100 | 2800 | 1x Z= 560 | 1x Z= 560 | 28 | 1 | 1 | 2 |
| 29 | 1203 | 100 | 2900 | 1x Z= 560 | 1x Z= 600 | 29 | 1 | 1 | 2 |
| 30 | 1243 | 100 | 3000 | 1x Z= 600 | 1x Z= 600 | 30 | 1 | 1 | 2 |
| 31 | 1283 | 100 | 3100 | 1x Z= 600 | 1x Z= 640 | 31 | 1 | 1 | 2 |
| 32 | 1323 | 100 | 3200 | 1x Z= 640 | 1x Z= 640 | 32 | 1 | 1 | 2 |
| 33 | 1363 | 100 | 3300 | 1x Z= 640 | 1x Z= 680 | 33 | 1 | 1 | 2 |
| 34 | 1403 | 100 | 3400 | 1x Z= 680 | 1x Z= 680 | 34 | 1 | 1 | 2 |
| 35 | 1443 | 100 | 3500 | 1x Z= 680 | 1x Z= 720 | 35 | 1 | 1 | 2 |
| 36 | 1483 | 100 | 3600 | 1x Z= 720 | 1x Z= 720 | 36 | 1 | 1 | 2 |
| 37 | 1523 | 100 | 3700 | 1x Z= 720 | 1x Z= 760 | 37 | 1 | 1 | 2 |
| 38 | 1563 | 100 | 3800 | 1x Z= 760 | 1x Z= 760 | 38 | 1 | 1 | 2 |
| 39 | 1603 | 100 | 3900 | 1x Z= 760 | 1x Z= 800 | 39 | 1 | 1 | 2 |
| 40 | 1643 | 100 | 4000 | 1x Z= 800 | 1x Z= 800 | 40 | 1 | 1 | 2 |
| 41 | 1683 | 100 | 4100 | 1x Z= 800 | 1x Z= 840 | 41 | 1 | 1 | 2 |
| 42 | 1723 | 100 | 4200 | 1x Z= 840 | 1x Z= 840 | 42 | 1 | 1 | 2 |
| 43 | 1763 | 100 | 4300 | 1x Z= 840 | 1x Z= 880 | 43 | 1 | 1 | 2 |
| 44 | 1803 | 100 | 4400 | 1x Z= 880 | 1x Z= 880 | 44 | 1 | 1 | 2 |
| 45 | 1843 | 100 | 4500 | 1x Z= 880 | 1x Z= 920 | 45 | 1 | 1 | 2 |
| 46 | 1883 | 100 | 4600 | 1x Z= 920 | 1x Z= 920 | 46 | 1 | 1 | 2 |
| 47 | 1923 | 100 | 4700 | 1x Z= 920 | 1x Z= 960 | 47 | 1 | 1 | 2 |
| 48 | 1963 | 100 | 4800 | 1x Z= 960 | 1x Z= 960 | 48 | 1 | 1 | 2 |
| 49 | 2003 | 100 | 4900 | 1x Z= 960 | 1x Z= 1000 | 49 | 1 | 1 | 2 |
| 50 | 2043 | 100 | 5000 | 1x Z= 1000 | 1x Z= 1000 | 50 | 1 | 1 | 2 |
| 51 | 2083 | 100 | 5100 | 1x Z= 1000 | 1x Z= 1040 | 51 | 1 | 1 | 2 |
| 52 | 2123 | 100 | 5200 | 1x Z= 1040 | 1x Z= 1040 | 52 | 1 | 1 | 2 |



| REVISION HISTORY EAS | | | |
|----------------------|-----------------------------------|------------|---------|
| REV | DESCRIPTION | DATE | DRAFTER |
| A | ADD CAPACITY COLUMNS TO THE TABLE | 2019/11/18 | Yue |

| Parts List | | | |
|------------|-----|-------------|------------------------|
| ITEM | QTY | PART NUMBER | DESCRIPTION |
| 1 | * | FB340-005 | EHB22 BASE |
| 2 | * | EHB 22-550 | BALL INSERT ASSY |
| 3 | * | EHB 22-660 | FRONT CONNECT ASSY |
| 4 | * | EHB 22-670 | END STOP ASSY |
| 5 | * | EHB 22-680 | AIR RELIEF ASSY |
| 6 | * | EHB 22-690 | MIDDLE CONNECTION ASSY |

TOLERANCES ON DIMENSIONS UNLESS SPECIFIED # MM(INCH) TOL. ON RADI UNLESS SPEC. # MM(INCH)

| | | | | | |
|------|-------------|-----------------|--------------------|----------------------|------------------------|
| SIZE | 0-6 (02-24) | 6-30 (1/4-1.18) | 30-120 (1.18-4.72) | 120-315 (4.72-12.40) | 315-1500 (12.40-59.37) |
| TOL. | 0.11(0.04) | 0.21(0.08) | 0.31(0.12) | 0.51(0.02) | 0.81(0.03) |

SPECIFICATIONS: DIMENSIONS IN BRACKETS ARE IN [INCH]

NO CHANGE, NO PROGRESS

3.2 \sqrt{Ra} [Rajm / Raju]

SCALE: 1.25 : 1

ALL ANGULAR DIMENSIONS ARE # 1 UNLESS SPECIFIED

GROUP TECH CODES: M C

DO NOT SCALE DRAWING

DATE: 2013/2/21

DR: Jodder

DATE: 2013/2/21

REVISION: A

REV: 0102

DRAWING NO.: EHB 22-...

DESCRIPTION: DIE LIFTER BALL 22

www.EASchangesystems.com