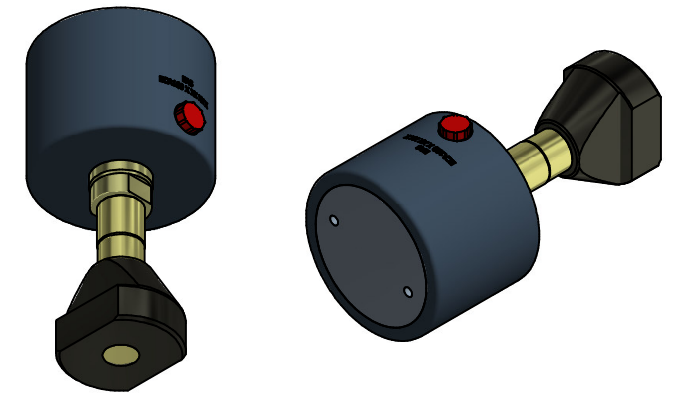
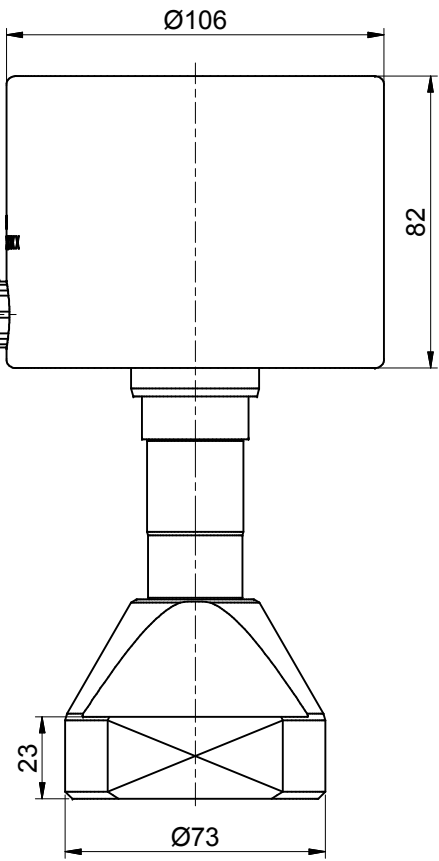
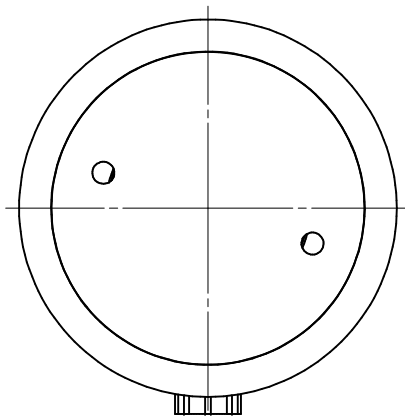


G1/4" OILCONNECTION



ECA-160-36-XX:

CLAMPFORCE at 350 bar = 160,0 kN
TOTAL STROKE = 8 mm



TOLERANCES ON DIMENSIONS UNLESS SPECIFIED ± MM[inch]						TOL. ON ANGLES UNLESS SPEC.	TOL. ON RADII UNLESS SPEC. ± MM[inch]			
SIZE	0.5-6 [.02-.24]	6-30 [.24-1.18]	30-120 [1.18-4.72]	120-315 [4.72-12.40]	315-1000 [12.40-39.37]		SIZE	0.5-3 [.02-.12]	3-6 [.12-.24]	6-30 [.24-1.18]
TOL.	0.1 [.004]	0.2 [.008]	0.3 [.012]	0.5 [.02]	0.8 [.03]	± 1'	TOL.	0.2 [.008]	0.5 [.02]	1 [.04]
SPECIFICATIONS						DIMENSIONS IN BRACKETS ARE IN [INCH]				 www.EASchangesystems.com DESCRIPTION T-SLOT PULL CYLINDER ASS'Y
WEIGHT: ± 6.336 kg						NO CHANGE, NO PROGRESS				
ALL ANGULAR DIMENSIONS ARE ± 1' UNLESS SPECIFIED						FINISH UNLESS SPECIFIED $3.2 \sqrt{Ra} \mu\text{m} [Ra \mu]$				
SCALE 1:1.5						 				
GROUP TECH. CODES	C.			DO NOT SCALE DRAWING	DR. Yue	DATE 2020/4/14	DRAWING NO. ECA-160-36-XX			Rev 9/02
	M.				CH.	DATE				A3