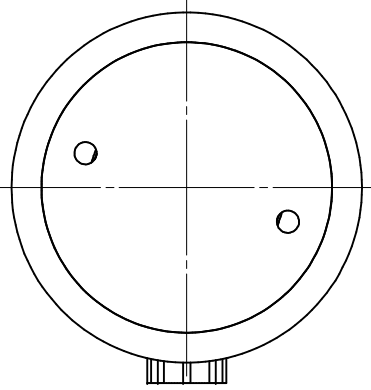



ECA-100-28-XX:

CLAMPFORCE at 350 bar = 98,0 kN
TOTAL STROKE = 8 mm



TOLERANCES ON DIMENSIONS UNLESS SPECIFIED ± MM[inch]						TOL. ON ANGLES UNLESS SPEC.	TOL. ON RADII UNLESS SPEC. ± MM[inch]			
SIZE	0.5-6 [.02-.24]	6-30 [.24-1.18]	30-120 [1.18-4.72]	120-315 [4.72-12.40]	315-1000 [12.40-39.37]		SIZE	0.5-3 [.02-.12]	3-6 [.12-.24]	6-30 [.24-1.18]
TOL.	0.1 [.004]	0.2 [.008]	0.3 [.012]	0.5 [.02]	0.8 [.03]	± 1°	TOL.	0.2 [.008]	0.5 [.02]	1 [.04]
SPECIFICATIONS						DIMENSIONS IN BRACKETS ARE IN [INCH]				
WEIGHT: ± 3.176 kg						NO CHANGE, NO PROGRESS				
						3,2 $\sqrt{Ra\mu m}$ [Raμ]				
ALL ANGULAR DIMENSIONS ARE ± 1° UNLESS SPECIFIED						SCALE	1 : 1.25			
GROUP	C.					DO NOT SCALE DRAWING	DR. Yue	DATE 2020/4/14	DESCRIPTION	
TECH. CODES	M.						CH.	DATE	T-SLOT PULL CYLINDER ASS'Y	
										
						www.EASchangesystems.com				
						DRAWING NO. ECA-100-28-XX Rev 9/02				
						A3				