

ELY rocker clamps

UK



Time saving
solutions

www.EASchangesystems.com

Save time and money with clamping solutions from EAS

Why EAS change systems?

EAS offers a wide range of solutions and components that allow you to customize your changeover process with efficiency and safety in mind. If your machines and tools are not standardized yet, EAS offers a quick clamping solution that will adapt to your current tool and allow flexibility as your tool room continues to grow.

ELY Clamping solution

How easy would it be if you only needed one clamp type to suit different molds or dies? To have a clamp in stock that can be operated in both horizontal and vertical applications.

Every machine in your factory has its own specifications. And depending on your level of standardization, each tool may have a different sized back plate. Of course, standardizing is the way go. If standardizing your backplates is not possible due to cost or volume of tools, EAS offers the ideal clamping solution. Our ELY clamp allows for a quicker, safer, more flexible clamping solution. Whether you want a manual or fully automated operation, the ELY rocker clamp can do the job.

EAS' ELY rocker clamps are often offered to you in a package. This would include Clamps + Pump + Control Unit. This package flow chart starts with the choice of your type of clamp. After this, EAS helps you choose the pump and control unit based on your previous choices and provides installation cost.



ELY rocker clamp solution for maximum **safety and control**

ELY rocker clamp features

A. Safety interface to Press

PrControl unit is linked to the press to indicate possible actions to be made based on press status/process. This means that if the press is open the system will remain clamped.

B. Double check valves & split clamping circuits

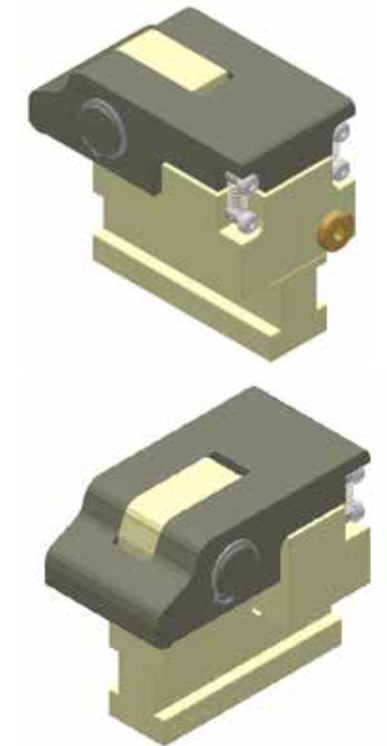
The pump is equipped with check valves that mechanically lock to keep a constant pressure to the clamp and avoid pressure variations. These valves will block the fluid inside the circuit pump/ELY and prevent a drop in pressure.

C. Pressure switches to monitor the clamping pressure and activate pump in case of critical pressure

If the control unit detects a variation of pressure inside the clamping circuit, the control unit will restart the pump. This system avoids critical damage to the machine.

D. Clamping position sensor (optional)

The clamping position sensor is an optional feature. This option consists of adding a sensor on the ELY rocker clamp. This sensor will detect and inform you about the clamps position on the press and indicate the clamping status.



ELY as an **Operator friendly** clamping solution

Color touch screen

Our control unit features an easy-to-read color touch screen. This allows the important clamping information to be easily read and diagnosed by even a novice machine operator.

Clear indication of system status

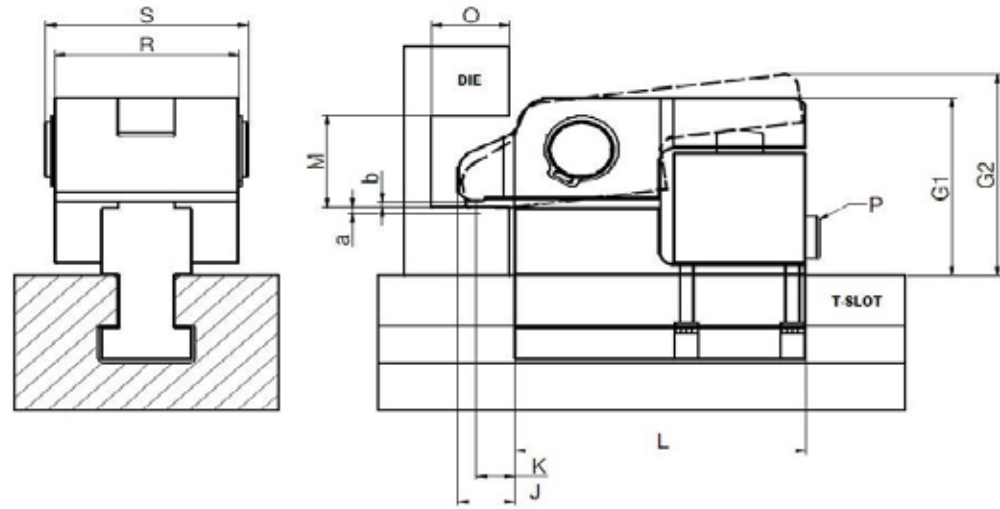
The control unit's screen color changes based on the systems status: red for important issues, orange/yellow of secondary issues, green for validation, grey for basic operations. With this option, the system status can be instantly understood and managed accordingly.

Adjusting of clamping parameters

The operating pressure of the system can be adjusted to find the perfect clamping conditions. Half mold change mode can also be activated.



Technical characteristics



Selection charts

EAS TYPE	Clamping force (ton)	Operating pressure (bar)	Cylinder weight (kg)	Oil volume (cm3)
ELY 20	2	350	4.0	3.0
ELY 40	4	350	4.9	5.6
ELY 60	6	350	7.6	9.0
ELY 100	10	350	13.7	14.6
ELY 160	16	350	21.8	22.6
ELY 250	25	350	40.2	35.3

Temperature range with standard seals -5 till 6

EAS TYPE	Dimensions in mm												
	A (min and max T-slot size)	T (min and max height)	G1	G2	R	S	J	K	M	O	P	a	b
ELY 20	18-22	20-40	T+38	T+48	55	62	22	15	95	30	G1/4"	2	3
ELY 40	18-22	25-50	T+47,5	T+58	70	77	22	15	110	30	G1/4"	2	3
ELY 60	22-28	35-60	T+58	T+68	80	87	22	15	130	30	G1/4"	2	3
ELY 100	22-28	35-60	T+73	T+83	90	97	25	18	160	40	G1/4"	2	3
ELY 160	28-36	45-70	T+93	T+103	110	120	25	18	193	40	G1/4"	2	3
ELY 250	28-36	55-80	T+118	T+128	130	140	30	22	243	40	G1/4"	2	3

Get personalized Services for your Clamps

Easy installation

The installation service offered by EAS makes installation easier and more convenient. All installations are set up by an EAS certified technician.

Remote service (option)

Our remote service option makes follow up and issues easier and cheaper to resolve. This remote service option allows our team to log in to the controls of the pump unit to directly check issues without the need of an onsite visit. With this option you are saving money and time!



Other solutions

MCS

Magnetic clamping systems (MCS) are also available, shortening changeover time by increasing productivity. These systems can help reduce production costs and require little to no standardization of molds/dies. Our systems offer the highest level of safety for operators, molds, and equipment.

HECS

This original Engel clamping system can be applied on any new injection molding machine as well as on vertical presses. HECS keeps the mounting platen free as the standard available EEB bolts mounted on the tools disappear into openings in the platen.

MOD

Meet our best-in-class clamping product: safe, durable, and cost-efficient. Thanks to the 5 ° angle on the plunger end, the MOD wedge clamping cylinders are self-locking, as continuous pressure is not needed for the clamp to stay locked. These hydraulic clamps are designed for use on machines with the EUROMAP drilling pattern. The MOD series feature metric mounting patterns and BSP oil fittings.



Europe/The Netherlands

EAS Europe B.V.

De Hooge Hoek 19A / 3927 GG Renswoude
phone: +31 318 477 010 / The Netherlands
info@EASchangesystems.com

USA

EAS Mold & Die Change Systems, Inc.

200 Augusta Arbor Way, Suite B
Greenville, South Carolina 29605
phone: +1 864 603 3386 / United States of America
easus@EASchangesystems.com

France

EAS France S.A.R.L.

ZI Alpespace / 218 Voie Aristide Bergès
73800 Sainte Hélène du Lac
phone: +33 4 79 65 04 10 / France
easfr@EASchangesystems.com

China

苏州易爱使快速换模系统有限公司

Suzhou EAS Change Systems Co., Ltd

No.1188 Pangjin Road / Wujiang City / 215200
phone: +86-512-63093091 / PR China
sales-china@EASchangesystems.com

Italy

EAS MED S.r.L.

Via J. F. Kennedy, 19/C2 / 20871 Vimercate (MB)
phone: +39 039 608 3816, +39 039 626 0654 / Italy
easmed@EASchangesystems.com