



ETDC TRAVELLING DIE CLAMPS

UK



Time saving
solutions

www.EASchangesystems.com

Save time and money with EAS' Travelling Die Clamps solutions

Why EAS change systems?

EAS offers a wide range of hydraulic clamps with, for example, self-locking and sensor features, for vertical as well as horizontal dies changes, as well as magnetic mold clamping systems. Apart from clamping solutions, EAS also offers ejector couplers, mono and multi couplers for simple and fast connection to all utility connections, die change tables and carriages as well as inspection units, die rotate units and mold & die storage systems. EAS can supply all your complete QMC, QDC or SMED solutions from one source.



Travelling Die Clamps solution

The EAS travelling die clamp (ETDC) is intended to automatically clamp tools on the upper bed of the press. The movement of the clamp is by electric power, clamping is done by hydraulic power.



EAS' Travelling Die Clamps solutions

What is EAS' ETDC?



Travelling die clamps are commonly used on large stamping presses with various die sizes. These clamps allow automatic clamping of different sizes of large dies, especially on the slide. The slide is usually mounted with eight to sixteen of these clamps.

EAS' ETDC has the advantage to fit in any T-slot (according to DIN 650); versatile in application. It is very suitable for retrofits and flexible in practice. EAS provides a quick and simple ordering overview for more convenience.

The ETDC travelling die clamps offers a convenient method of automating quick die changes.

Die clamping systems of this type are connected to a chain and driven by an electric motor. ETDCs belong to the group of die change automation equipment that reduces set-up times (SMEDs). The ETDC can be equipped with three different hydraulic clamps. This allows flexible solutions on stamping presses and vertical injection molding machines.

Sensor Controlled

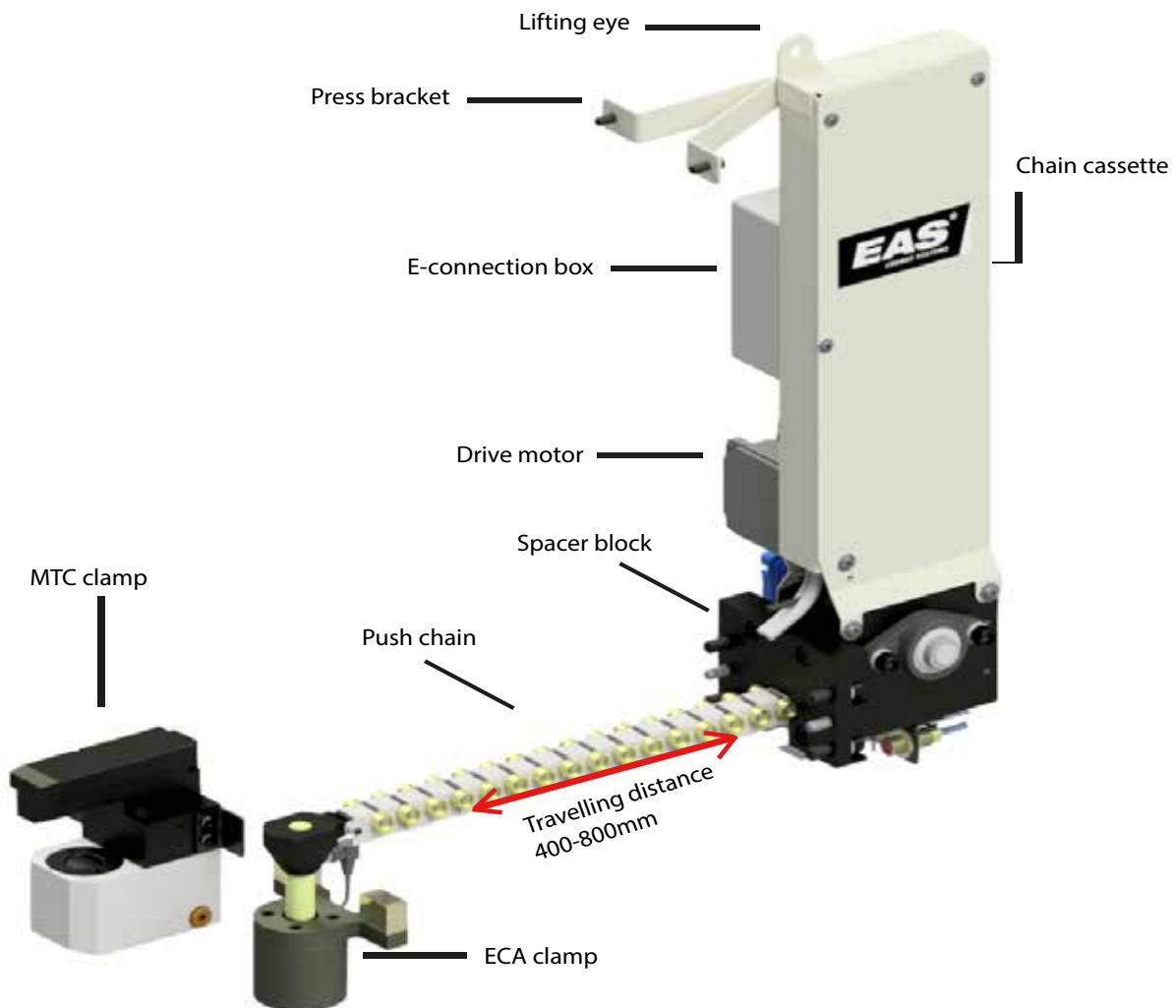
The ETDC is equipped with two sensors. : These sensors monitor the clamp and the retracted status of the ETDC. This allows a maximum of safety to prevent machines and materials damage and reduce the risk of accidents.



Travelling Die Clamps solutions for **maximum control and operator friendly**

By using the travelling die clamps with any of the available cylinders, clamping a large variety of die sizes with varying back plate heights is reduced to a matter minutes. This reduces the need for die standardization and increases operator safety and work ergonomics.

Product information



The EAS Electric driven Travelling Die Clamp (ETDCE) is a motor driven unit to move a hydraulic clamp through the T-slot of the upper bed of a press.

When the clamp reaches the die it stops by a sensor and starts clamping. After unclamping the clamp retracts to its sensor controlled home position.

The ETDCE is equipped with a chain, which fits the T-slot (DIN650). The chain pushes and pulls the clamp through the T-slot. The energy cables, like hydraulic hose and sensor cable, are guided through the chain to the clamp.

The ETDCE is mounted to the side of the press, with an optional spacer block. With this spacer block it is possible to retract the clamp completely out of the press bed's T-slot to create more space for the die.

The ETDCE is available in standardized stroke lengths of 400mm, 600mm and 800mm, for 28 or 36 size T-slot.

Suitable clamps for **ETDCE**



MTC

The MTC clamp is a compact clamp suitable for both the bolster and slide. Because of their large stroke range different die heights can easily be clamped. It is available with various clamping forces and suitable for a range of T slots.

Detailed specifications can be found on the EAS website or in the EAS Quick die Change solutions brochure on page 16



ECA

These single acting hollow pull cylinders allow for secure clamping in space restricted situations. Available from 4 to 25 tons and for T slots from 18 to 36 they fit many applications.

Detailed specifications can be found on the EAS website or in the EAS Quick die Change solutions brochure on page 12



MHC

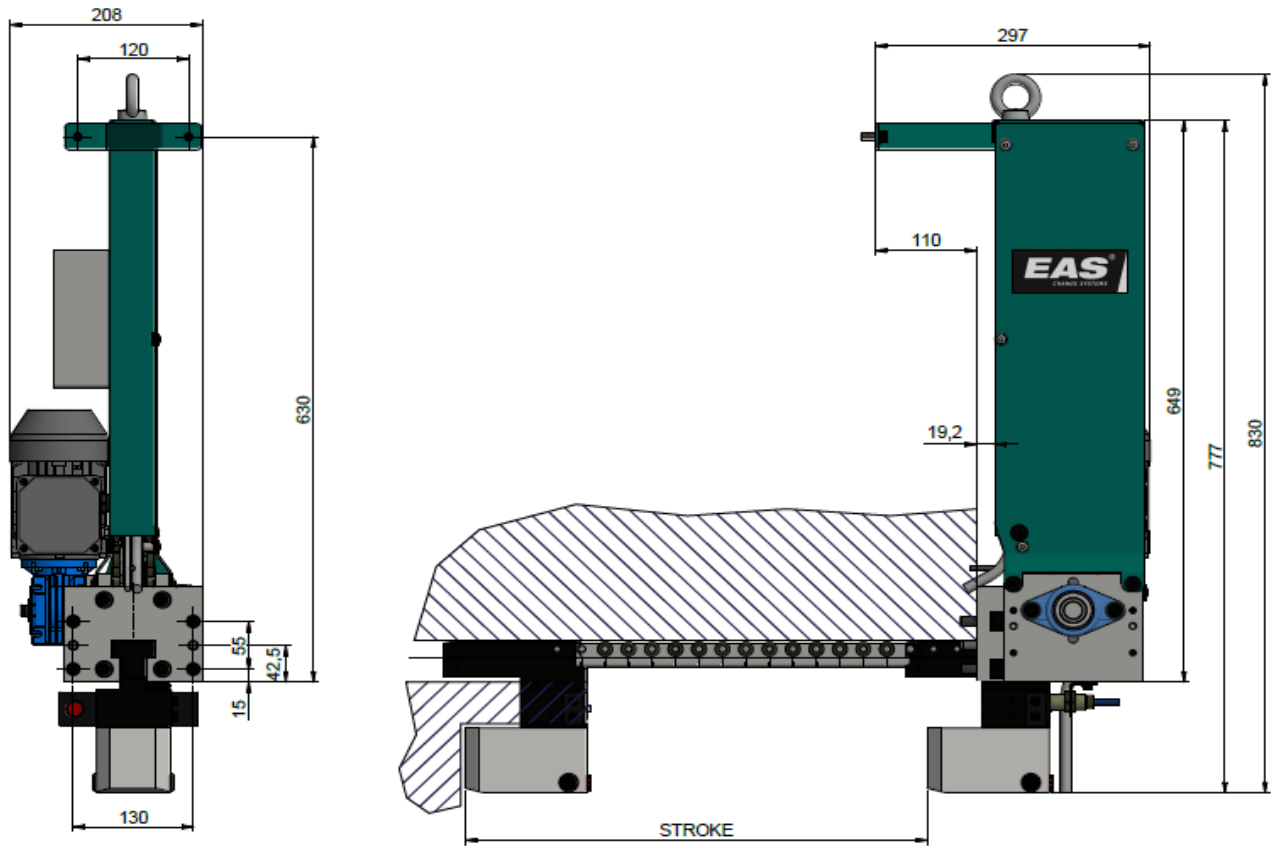
Similar to the ECA clamps these high quality pull cylinders feature an additional swivel plate which allows applications on non-straight die surfaces.

Detailed specifications can be found on the EAS website or in the EAS Quick die Change solutions brochure on page 13

Clamp	Clamping force	Suitable for T-slot
MTC45	45kN	T28
MTC70	70kN	T28 and T36
ECA100	100kN	T28 and T36
ECA160	160kN	T36
MHC70	70kN	T28 and T36
MHC110	110kN	T36

All our suitable clamps for ETDC do have an hydraulic connection of 1/4 BSP. They are also equipped of 2 sensors of 24V DC. and have an operating pressure of 350bar.

Technical Data



*Note : dimensions may vary on the type of clamping cylinder.

Stroke	max. 800mm (400mm, 600mm, 800mm)*
Travelling speed (average)	130mm/sec
Connection	terminal block
Power	90W, 400V/50Hz 3Ph
Sensors (x2)	24V DC
Weight (without clamp)	ca. 29kg

*longer stroke is available on request

EAS Product **ordering sheet**

Step 1 : Select your ETDC :

	ETDCE
Stroke length (mm)	400...800*
Motor position	Left or right
Distance block (mm)	00...60**
Press Bracket (mm)	20 ... 600

*Steps of 200mm

** 00 for NO distance block

Example of Code :

ETDCE 600-L-33-224

Step 2 : Select your Clamp :

	MTC		ECA		MHC	
Clamping force (kN)	45	70	100	160	70	110
T-slot size (DIN650)	28	36	28	36	28	36
Clamp height (mm)	30 60		30 60		30 60	

Example of Code :

MTC-70-28-50

Step 3 : Compose your ordering code:

Example of Code :

ETDCE 600-L-33-224 + MTC-70-28-50 = ETDCE600L33224-MTC702850

Europe/The Netherlands
EAS Europe B.V.

De Hooge Hoek 19A / 3927 GG Renswoude
Phone: +31 318 477 010 / The Netherlands
info@EASchangesystems.com

USA

EAS Mold & Die Change Systems, Inc.

200 Augusta Arbor Way, Suite B
Greenville, South Carolina 29605
Phone: +1 864 603 3386 / United States of America
sales.us@EASchangesystems.com

France

EAS France S.A.R.L.

ZI Alpespace / 218 Voie Aristide Bergès
73800 Sainte Hélène du Lac
Phone: +33 4 79 65 04 10 / France
easfr@EASchangesystems.com

China

Suzhou EAS Change Systems Co., Ltd

No.1188 Pangjin Road / Wujiang City / 215200
Phone: +86-512-63093091 / PR China
sales-china@EASchangesystems.com

Italy

EAS MED S.r.L.

Via J. F. Kennedy, 19/C2 / 20871 Vimercate (MB)
Phone: +39 039 608 3816 / Italy
easmed@EASchangesystems.com