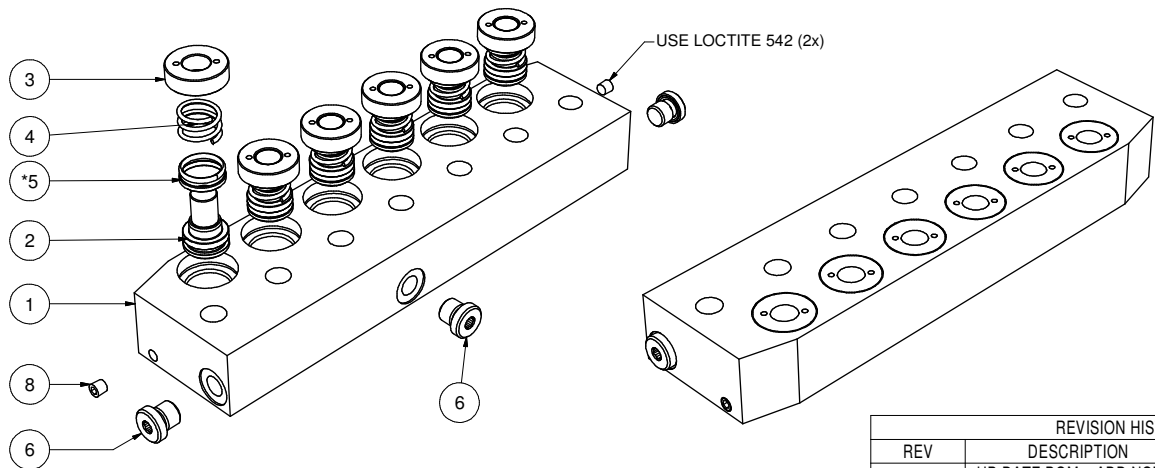
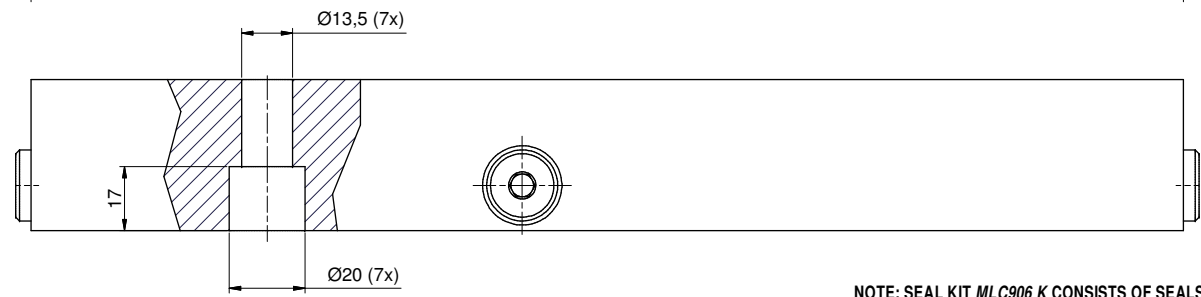
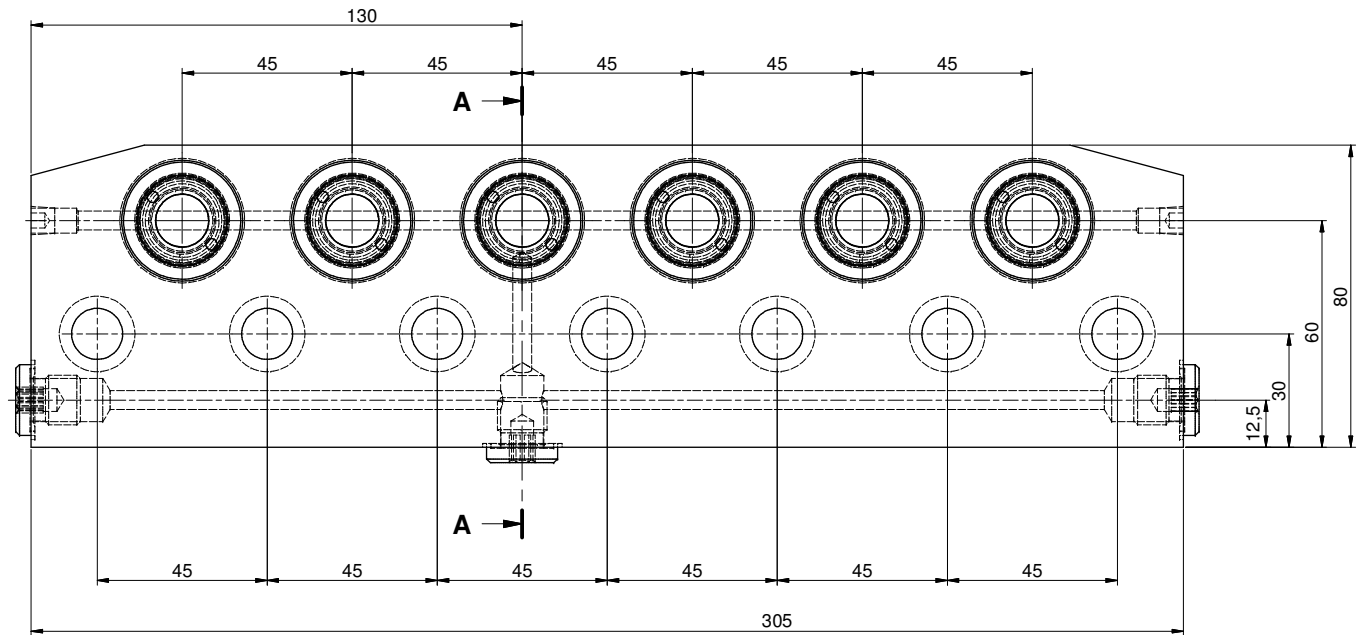


SECTION A-A



NOTE: SEAL KIT MLC906 K CONSISTS OF SEALS MARKED WITH A *.

Parts List										
ITEM	QTY	PART NUMBER	DESCRIPTION							
1	1	DQ1233-030	MANIFOLD							
2	6	DQ1212-040	PLUNGER							
3	6	DQ1213-044	STOPRING							
4	6	DQ1214-110	SPRING							
*5	6	DQ1298-041	DOUBLE DELTA SEAL							
6	3	CS235-006	TERMINAL PLUG							
7	-	-	-							
8	2	A1006-245	PLUG 1/16"-27 NPTF							
TOLERANCES ON DIMENSIONS UNLESS SPECIFIED ± MM[inch]										
SIZE	0.5-6 [.02-24]	6-30 [24-1.18]	30-120 [1.18-4.72]	120-315 [4.72-12.40]	315-1000 [12.40-39.37]	ANGLES UNLESS SPEC.	SIZE	0.5-3 [.02-12]	3-6 [12-24]	6-30 [24-1.18]
TOL.	0.1 [.004]	0.2 [.008]	0.3 [.012]	0.5 [.02]	0.8 [.03]	± 1°	TOL.	0.2 [.008]	0.5 [.02]	1 [.04]
SPECIFICATIONS			DIMENSIONS IN BRACKETS ARE IN [INCH]							
			NO CHANGE, NO PROGRESS							
			3,2 FINISH UNLESS SPECIFIED √ Raµm [Raµ]							
WEIGHT: ± 6,750 kg			SCALE 1:1							
			ALL ANGULAR DIMENSIONS ARE ± 1° UNLESS SPECIFIED							
			DO NOT SCALE DRAWING							
			DR. welgravenj							
			DATE 28-6-2012							
			DATE							
			DRAWING NO. DQ1234-900							
			Rev 1							
			9/02							
			A2							

REVISION HISTORY			
REV	DESCRIPTION	DATE	APPROVED
1	UP-DATE BOM + ADD NOTE: USE LOCTITE 542 (2x)	01-10-19	breep

THIS PRINT AND INFORMATION THEREIN IS CONFIDENTIAL AND PROPRIETARY AND IS THE PROPERTY OF EAS. IT IS NOT TO BE COPIED OR REPRODUCED WITHOUT WRITTEN PERMISSION OF EAS.